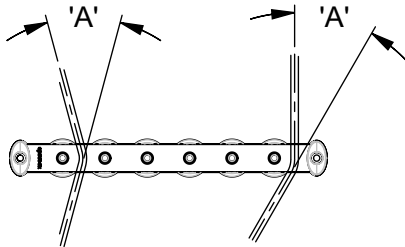
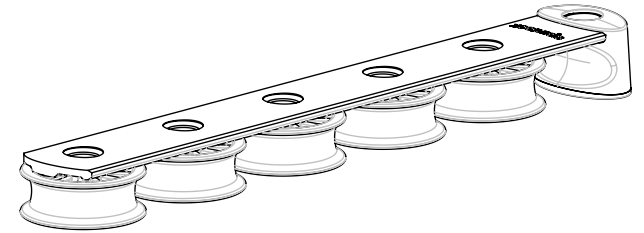


DEFLECTION ANGLE

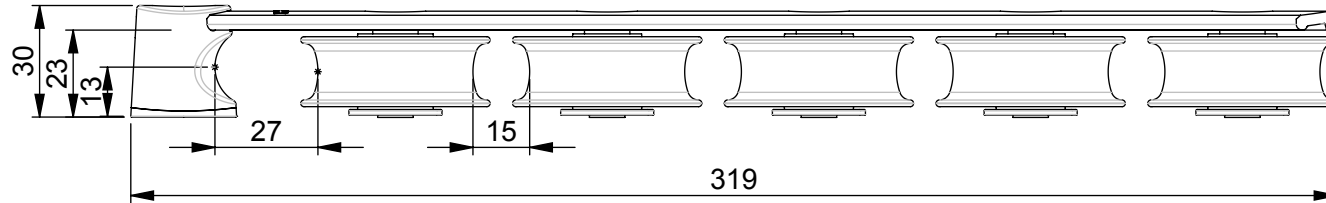
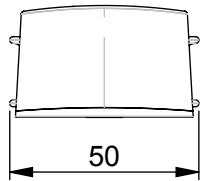
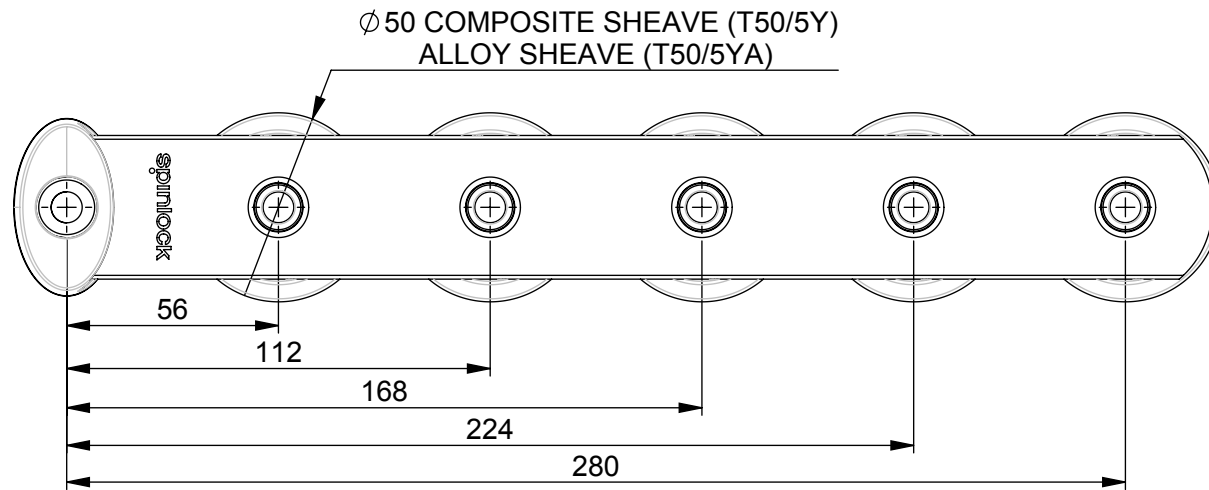


BISECTED ROPE ENTRY

STRAIGHT ROPE ENTRY



Rope Deflection Angle 'A' (°)	Max Rope Tension 'A' (kg)
10	8610
15	5750
30	2900
45	1960
60	1500
90	1060



spinlock
BE ADVENTURE-PROOF



WARNING:
IF USING AS A DRILL TEMPLATE, ENSURE PRINTER SETTINGS ARE ADJUSTED TO ACCOUNT FOR THE DRAWING SCALE AND **ALWAYS** CHECK DIMENSIONS BEFORE DRILLING.



COPYRIGHT:
THIS DRAWING IS PROTECTED BY COPYRIGHT. ANY USE IS FORBIDDEN WITHOUT THE WRITTEN CONSENT OF SPINLOCK.

ALL DIMENSIONS IN MM

SCALE PAGE SIZE DATE

1:2 A4 MAR 2018

MAX LINE SIZE
14mm
FASTENERS
M6 CSK
x 6

PRODUCT CODE

T50-5Y
T50-5YA

WEIGHT

405g
475g

MAX LOAD

1500kg
1500kg

MAX LOAD PER UNIT

2500kg
2500kg

T50-5Y

FOR MORE INFO CONTACT
SPT@SPINLOCK.CO.UK