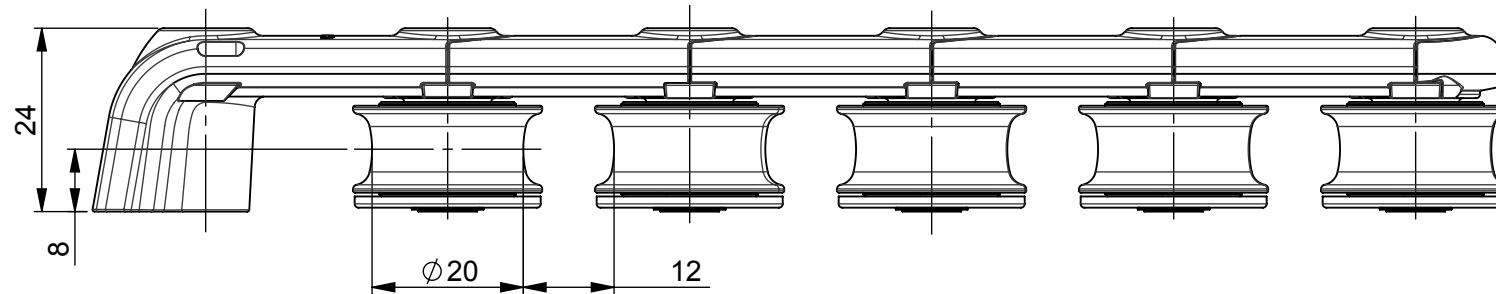
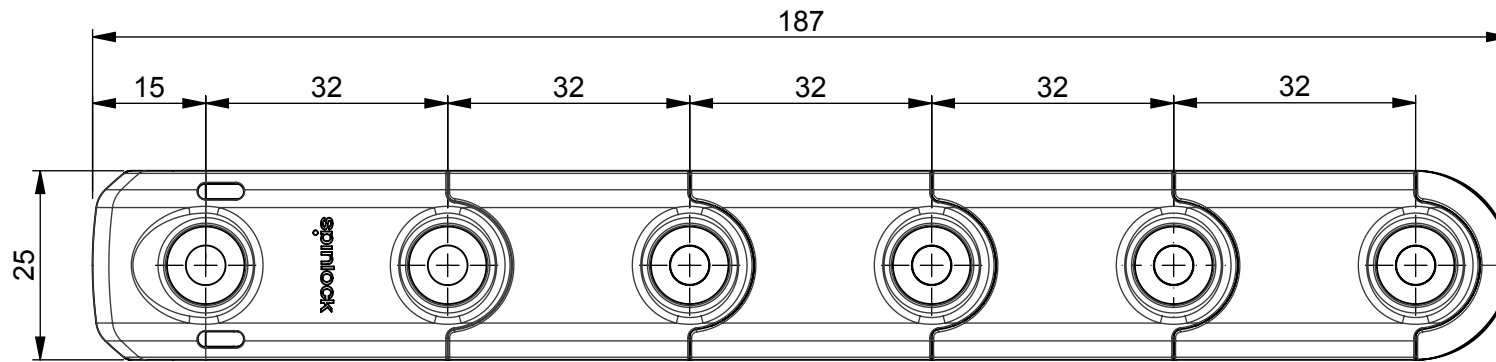


NOTES:

WEIGHT = 109g
DO NOT OVER TIGHTEN FIXINGS



spinlock		T25-5Y(2D)_MAR13	
ALL DIMENSIONS IN MM		LINE SIZE	UP TO Ø10MM
SCALE	1:1	PAGE SIZE	6 x M5 CSK A4-70
			A4
		FASTENERS	N/A
		MAX LOAD	N/A