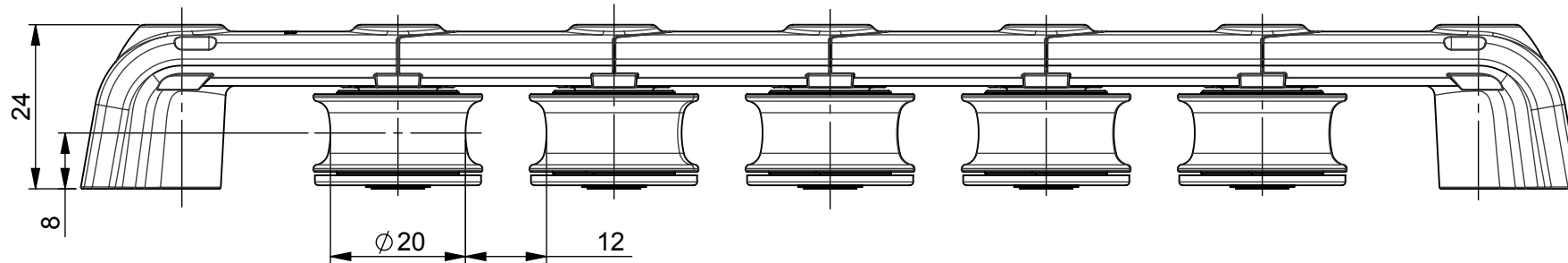
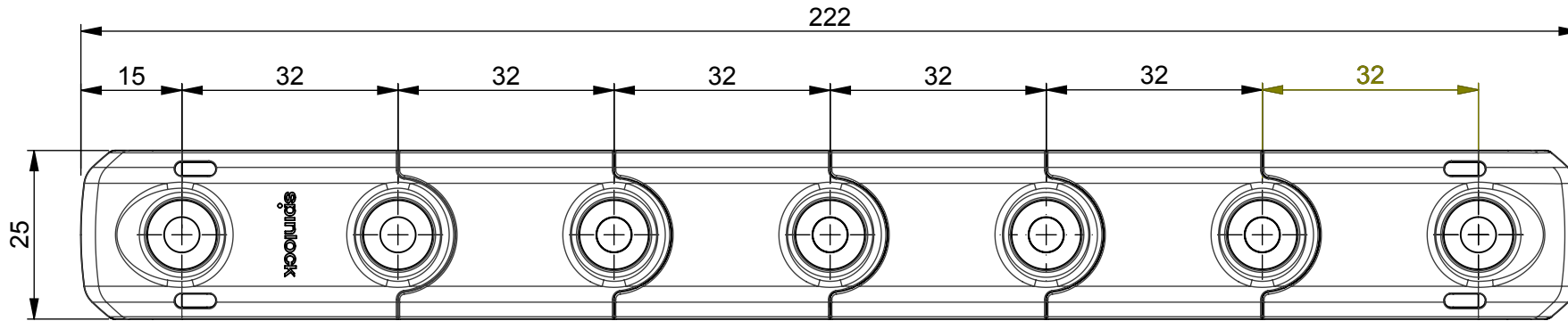


**NOTES:**

WEIGHT = 124g  
DO NOT OVER TIGHTEN FIXINGS



<b>spinlock</b>		<b>T25-5(2D)_MAR13</b>	
ALL DIMENSIONS IN MM		LINE SIZE	UP TO Ø10MM
SCALE	<b>1:1</b>	PAGE SIZE	7 x M5 CSK A4-70
		<b>A4</b>	MAX LOAD
			N/A