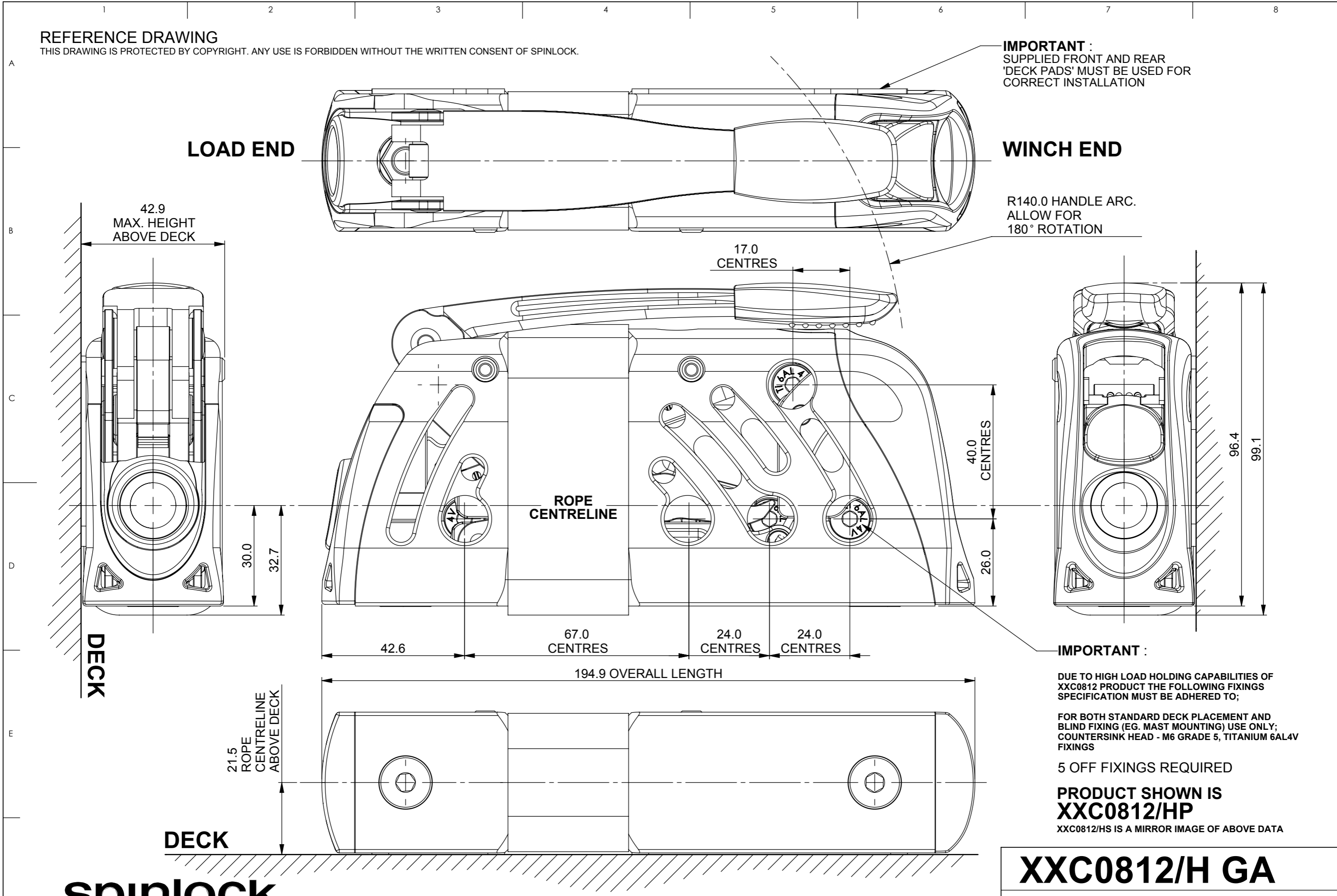


REFERENCE DRAWING

THIS DRAWING IS PROTECTED BY COPYRIGHT. ANY USE IS FORBIDDEN WITHOUT THE WRITTEN CONSENT OF SPINLOCK.



IMPORTANT :
SUPPLIED FRONT AND REAR
'DECK PADS' MUST BE USED FOR
CORRECT INSTALLATION

WINCH END

R140.0 HANDLE ARC.
ALLOW FOR
180° ROTATION

IMPORTANT :
DUE TO HIGH LOAD HOLDING CAPABILITIES OF
XXC0812 PRODUCT THE FOLLOWING FIXINGS
SPECIFICATION MUST BE ADHERED TO;

FOR BOTH STANDARD DECK PLACEMENT AND
BLIND FIXING (EG. MAST MOUNTING) USE ONLY;
COUNTERSINK HEAD - M6 GRADE 5, TITANIUM 6AL4V
FIXINGS

5 OFF FIXINGS REQUIRED

**PRODUCT SHOWN IS
XXC0812/HP**
XXC0812/HS IS A MIRROR IMAGE OF ABOVE DATA

XXC0812/H GA

ALL DIMS IN mm UNLESS OTHERWISE STATED

SCALE - 1:1
ISSUE DATE - 22/11/2010

A3



SPINLOCK LTD, 41 BIRMINGHAM ROAD, COWES, PO31 7BH, UNITED KINGDOM

FOR MORE INFO - WWW.SPINLOCK.CO.UK