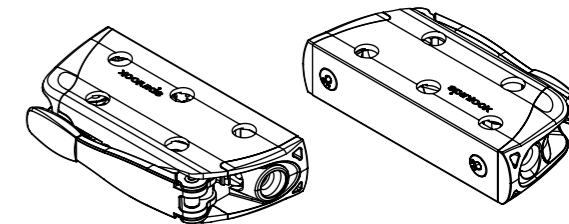
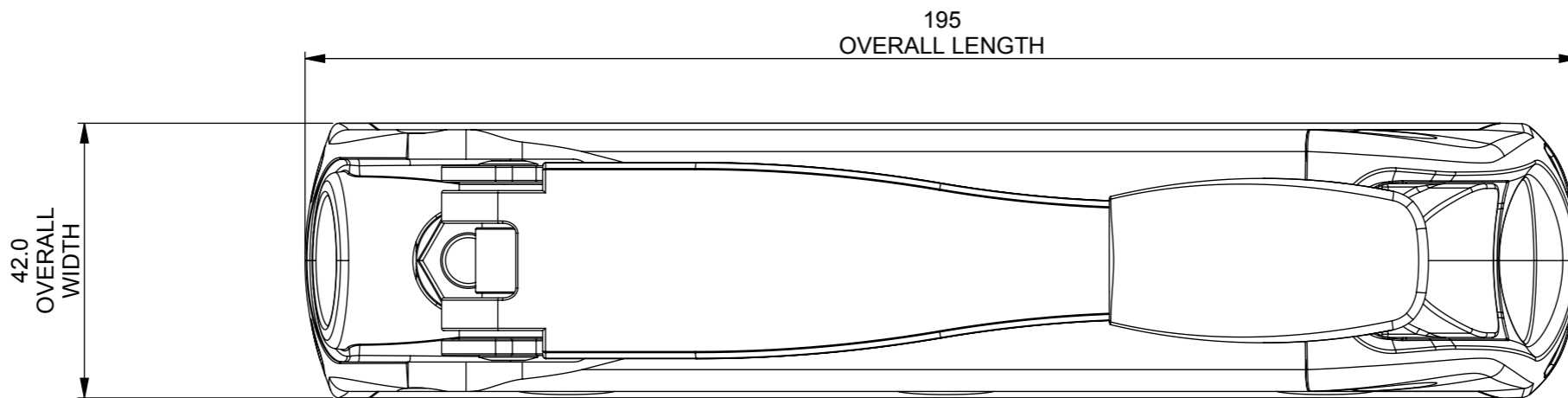


**MODEL SHOWN IS**

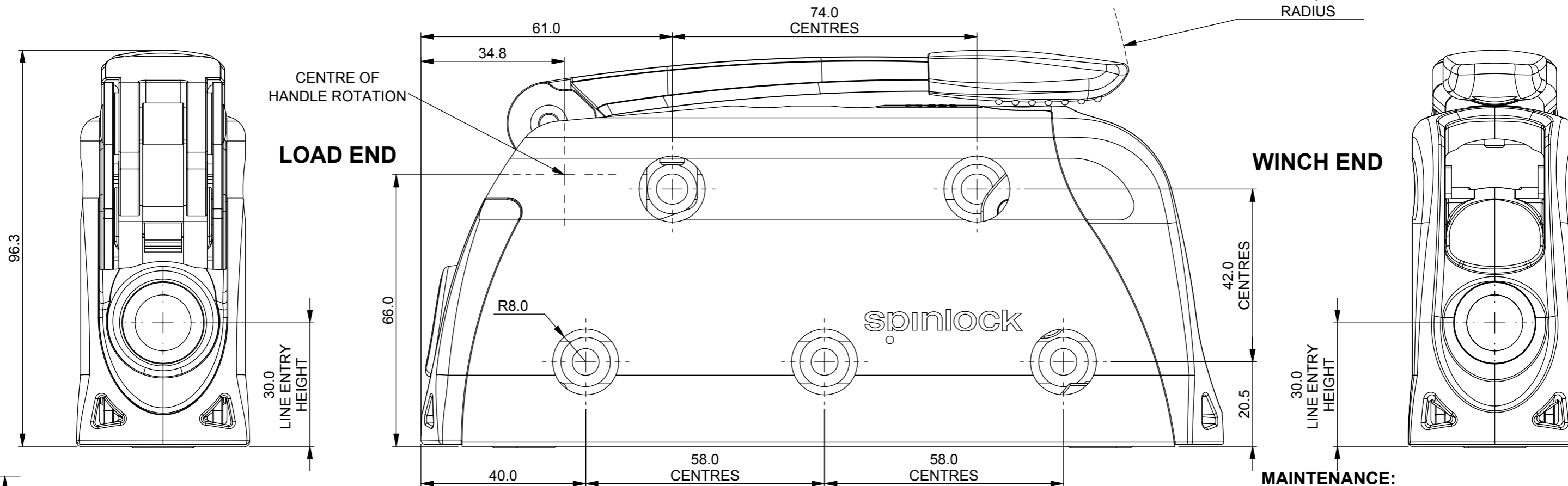
**XX0812/HP**

RECOMMENDED MOUNTING  
PORTSIDE OF BOAT WITH  
PRODUCT HANDLE  
OPENING INWARDS  
TOWARDS BOAT  
CENTRELINE.

FOR MOUNTING ON  
STARBOARD SIDE OF BOAT  
USE XX0812/HS



R139.4  
HANDLE SWEEP  
RADIUS



CENTRE OF  
HANDLE ROTATION

**LOAD END**

**WINCH END**

**INSTALLATION:**

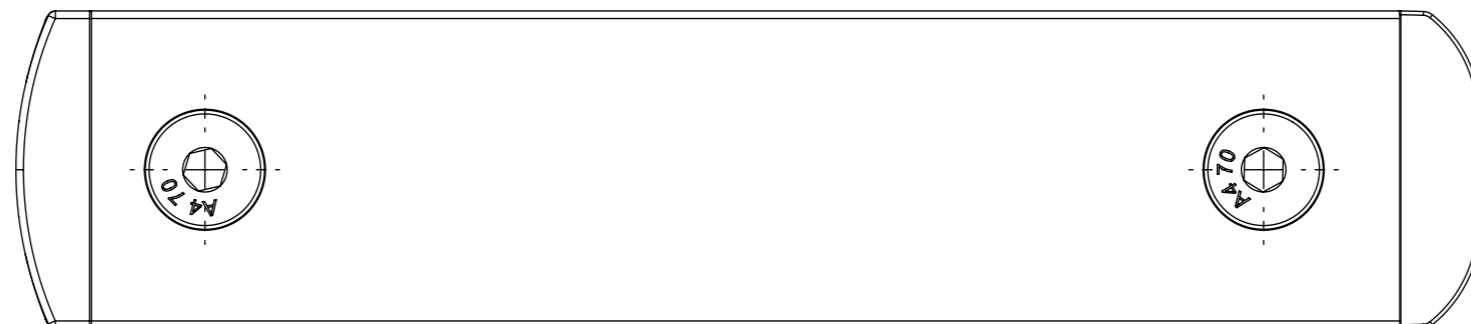
FOR OPTIMUM PERFORMANCE,  
ALIGN THE PRODUCT WITH THE  
ROPE FOWARD OF THE  
PRODUCT. ANY DEFLECTION OF  
THE ROPE SHOULD BE TAKEN  
BY THE REAR BULLSEYE TO  
THE WINCH. MAXIMUM EXIT  
ANGLE DEFLECTION = 15° IN  
ALL DIRECTIONS.

**WARNING:**

IF PRINTING FOR USE AS TEMPLATE, ENSURE PRINTER SETTINGS ARE  
ACTUAL SIZE (100% SCALING) AND **ALWAYS** CHECK AGAINST ADJACENT  
SCALE.

100.0

100.0



**MAINTENANCE:**

CLEAN REGULARY BY FLUSHING WITH  
FRESHWATER THROUGH OPENING AT  
REAR. PERIODICALLY REMOVE JAWSET  
AND CLEAN GRIP AND BEARING  
SURFACES ALONG WITH ROLLERS,  
CHECK FOR ANY DAMAGE. LUBRICANT  
**SHOULD NOT** BE USED WHEN RE-  
ASSEMBLING.  
TO RE-INSERT JAWSET AFTER REMOVAL,  
OPEN HANDLE FULLY THE LIFT HANDLE  
TO VERTICLE POSITION BEFORE  
INSERTING JAWS. JAWSET SHOULD **MUST  
NOT** BE FORCED IN WITH HAMMER AS  
THIS WILL CAUSE DAMAGE.

THIS DRAWING IS PROTECTED BE  
COPYRIGHT.ANY USE IS  
FORBIDDEN WITHOUT THE  
WRITTEN CONSENT OF SPINLOCK

**spinlock**

**XXB-HP(2D)\_JUL15**

ALL DIMENSIONS IN MM		LINE SIZE	Ø8-12MM (5/16" - 1/2")
SCALE	1:1	PAGE SIZE	5 x M6 A4-70 SOC CSK (SUPPLIED)
		MAX LOAD	2350KG