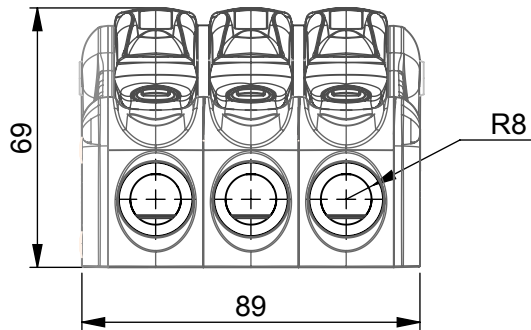
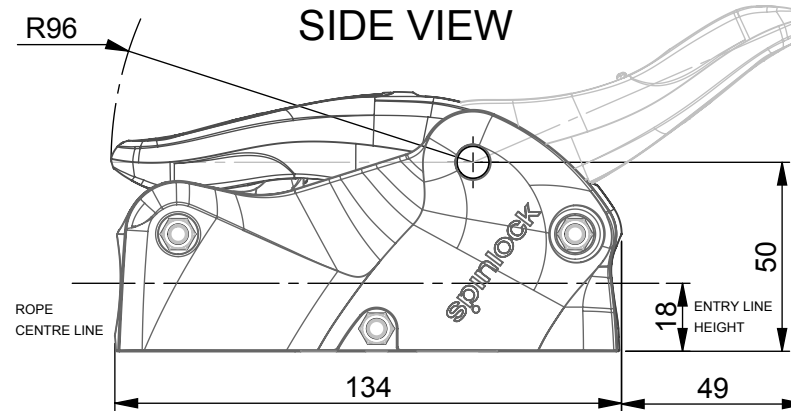


ALLOW SUFFICIENT SPACE FOR HANDLE ROTATION.

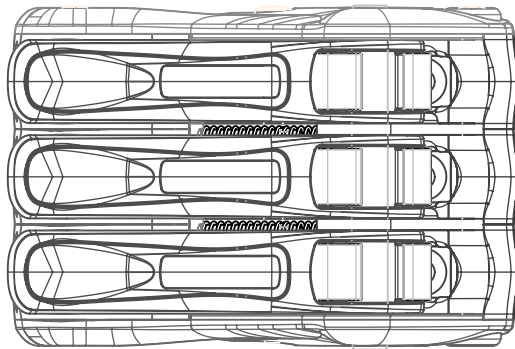
REAR VIEW



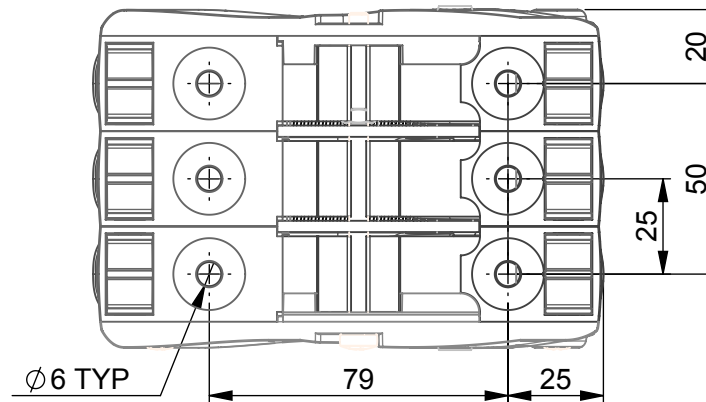
SIDE VIEW



TOP VIEW



BOTTOM VIEW



spinlock
BE ADVENTURE-PROOF



WARNING:
IF USING AS A DRILL TEMPLATE, ENSURE PRINTER SETTINGS ARE ADJUSTED TO ACCOUNT FOR THE DRAWING SCALE AND **ALWAYS** CHECK DIMENSIONS BEFORE DRILLING.



COPYRIGHT:
THIS DRAWING IS PROTECTED BY COPYRIGHT. ANY USE IS FORBIDDEN WITHOUT THE WRITTEN CONSENT OF SPINLOCK.

ALL DIMENSIONS IN MM

SCALE PAGE SIZE DATE

1:2 A4 FEB 2018

WEIGHT
449g

FASTENERS
M6 CSK
x 6

PRODUCT CODE

XAS0408/3

XAS0612/3

LINE SIZE

4-8mm

6-12mm

MAX LOAD

450kg

575kg

XAS/3

FOR MORE INFO CONTACT SPT@SPINLOCK.CO.UK