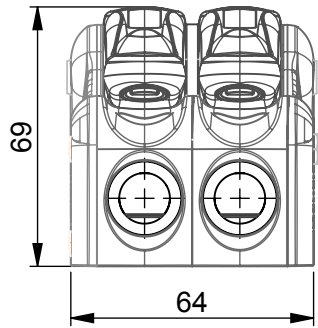
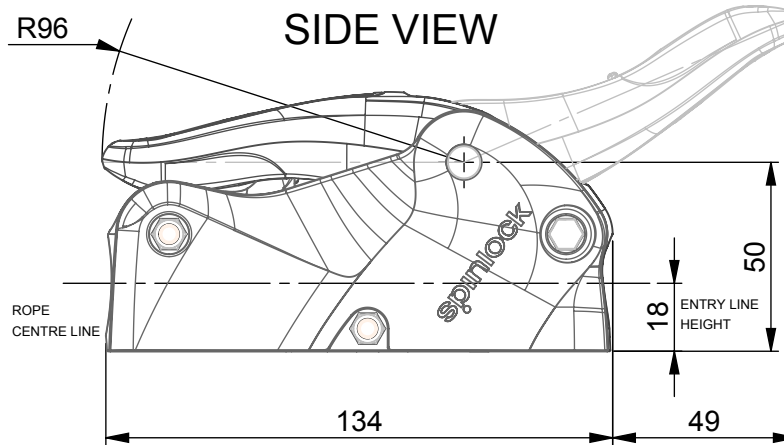


REAR VIEW

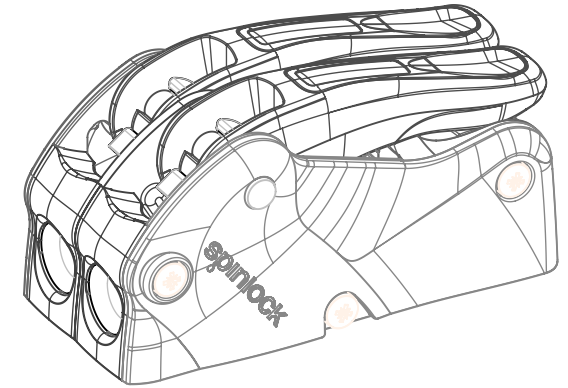


R96

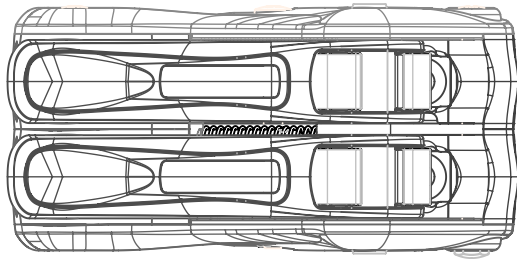
SIDE VIEW



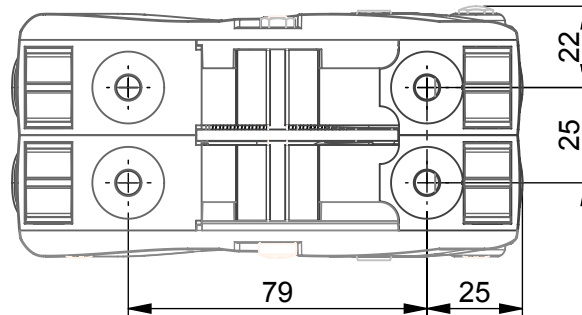
ALLOW SUFFICIENT SPACE FOR HANDLE ROTATION.



TOP VIEW



BOTTOM VIEW



spinlock
BE ADVENTURE-PROOF



WARNING:
IF USING AS A DRILL TEMPLATE, ENSURE PRINTER SETTINGS ARE ADJUSTED TO ACCOUNT FOR THE DRAWING SCALE AND **ALWAYS** CHECK DIMENSIONS BEFORE DRILLING.



COPYRIGHT:
THIS DRAWING IS PROTECTED BY COPYRIGHT. ANY USE IS FORBIDDEN WITHOUT THE WRITTEN CONSENT OF SPINLOCK.

ALL DIMENSIONS IN MM

SCALE PAGE SIZE DATE

1:2 A4 FEB 2018

WEIGHT
358g

FASTENERS
M6 CSK
x 4

PRODUCT CODE

XAS0408/2

XAS0612/2

LINE SIZE

4-8mm

6-12mm

MAX LOAD

450kg

575kg

XAS/2

FOR MORE INFO CONTACT SPT@SPINLOCK.CO.UK