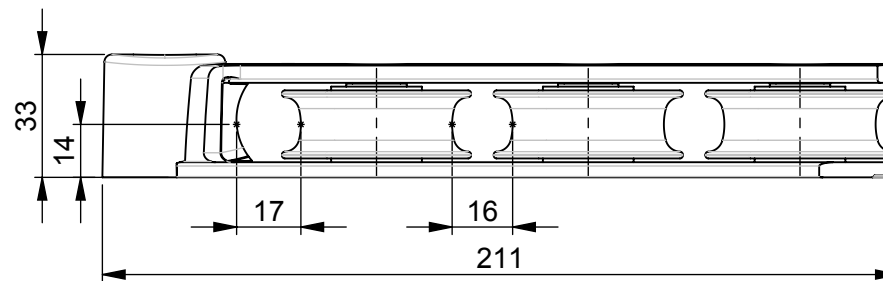
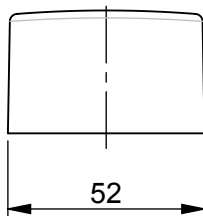
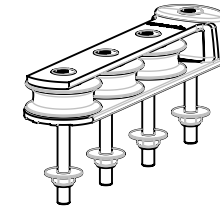
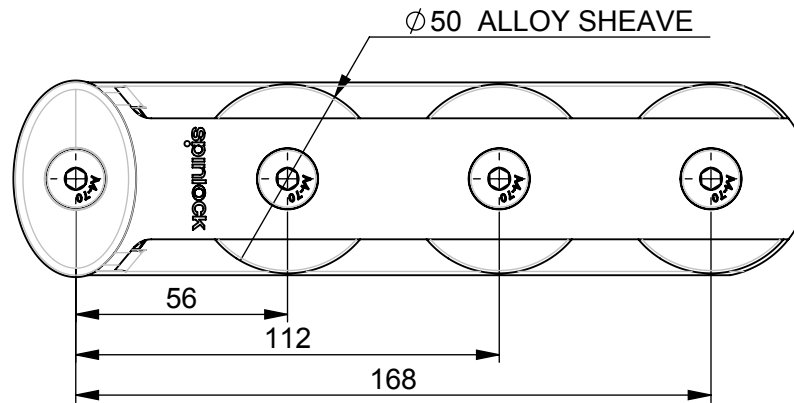


| DEFLECTION ANGLE, 'A' (°) | MAX TENSION (kg) |
|---------------------------|------------------|
| 10 | 8610 |
| 15 | 5750 |
| 30 | 2900 |
| 45 | 1960 |
| 60 | 1500 |
| 90 | 1060 |



spinlock
BE ADVENTURE-PROOF



WARNING:
IF USING AS A DRILL TEMPLATE, ENSURE PRINTER SETTINGS ARE ADJUSTED TO ACCOUNT FOR THE DRAWING SCALE AND **ALWAYS** CHECK DIMENSIONS BEFORE DRILLING.



COPYRIGHT:
THIS DRAWING IS PROTECTED BY COPYRIGHT. ANY USE IS FORBIDDEN WITHOUT THE WRITTEN CONSENT OF SPINLOCK.

ALL DIMENSIONS IN MM

| SCALE | PAGE SIZE | DATE |
|-------|-----------|----------|
| 1:2 | A4 | APR 2018 |

MAX LINE SIZE

Ø 14mm

FASTENERS

M8 CSK
x 4

WEIGHT

620g

SWL PER
SHAVE

1500kg

TOTAL SWL
PER UNIT

2250kg

TC50/3Y

FOR MORE INFO CONTACT
SPT@SPINLOCK.CO.UK