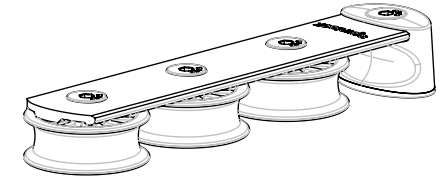
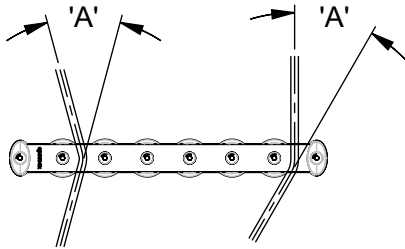
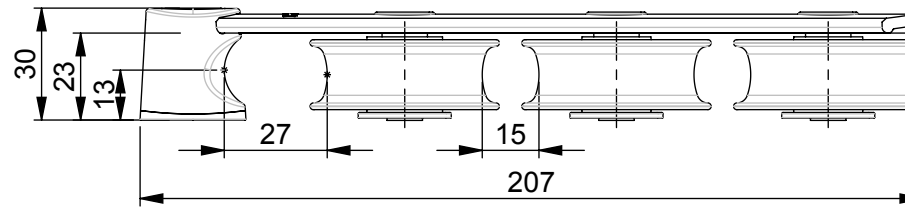
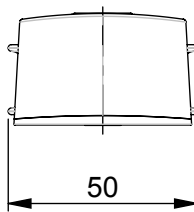
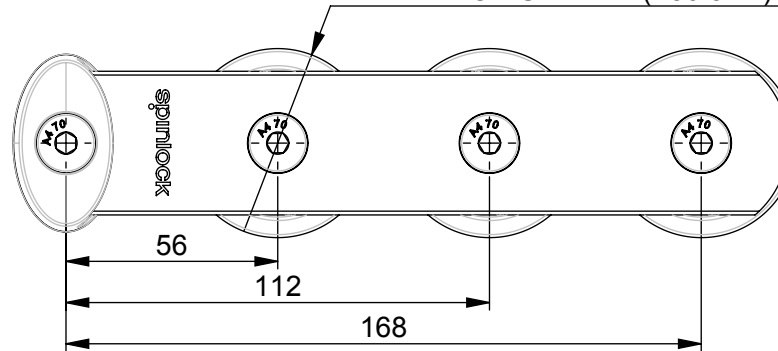


DEFLECTION ANGLE



ROPE DEFLECTION ANGLE 'A' (°)	MAX ROPE TENSION (kg)
10	5740
15	3830
30	1930
45	1310
60	1000
90	710

Ø50 COMPOSITE SHEAVE (T50/3Y)
ALLOY SHEAVE (T50/3YA)



spinlock
BE ADVENTURE-PROOF



WARNING:
IF USING AS A DRILL TEMPLATE, ENSURE PRINTER SETTINGS ARE ADJUSTED TO ACCOUNT FOR THE DRAWING SCALE AND **ALWAYS** CHECK DIMENSIONS BEFORE DRILLING.



COPYRIGHT:
THIS DRAWING IS PROTECTED BY COPYRIGHT. ANY USE IS FORBIDDEN WITHOUT THE WRITTEN CONSENT OF SPINLOCK.

ALL DIMENSIONS IN MM

SCALE	PAGE SIZE	DATE
1:2	A4	APR 2018

MAX LINE SIZE
14mm
FASTENERS
M8 CSK
x 4

PRODUCT CODE
T50-3Y
T50-3YA

WEIGHT
235g
305g

SWL PER SHEAVE
1000kg
1000kg

SWL PER UNIT
1500kg
1500kg

T50-3Y

FOR MORE INFO CONTACT
SPT@SPINLOCK.CO.UK