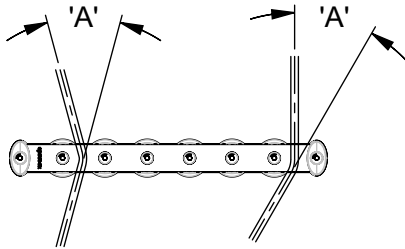
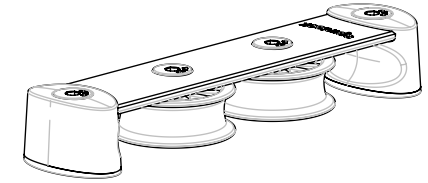


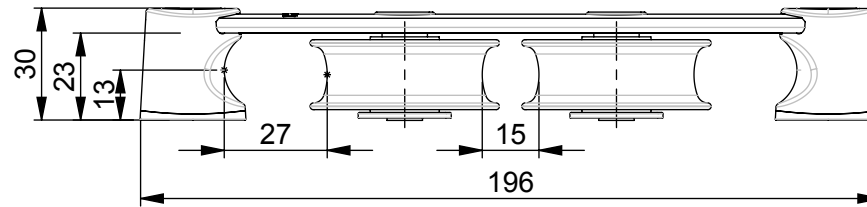
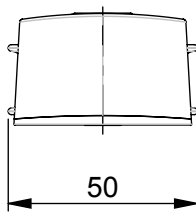
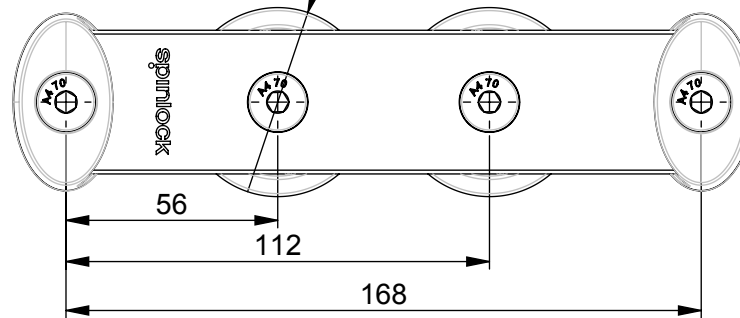
DEFLECTION ANGLE



ROPE DEFLECTION ANGLE 'A' (°)	MAX ROPE TENSION (kg)
10	5740
15	3830
30	1930
45	1310
60	1000
90	710



Ø 50 COMPOSITE SHEAVE (T50/2)  
ALLOY SHEAVE (T50/2A)



**spinlock**  
BE ADVENTURE-PROOF



**WARNING:**  
IF USING AS A DRILL TEMPLATE, ENSURE PRINTER SETTINGS ARE ADJUSTED TO ACCOUNT FOR THE DRAWING SCALE AND **ALWAYS** CHECK DIMENSIONS BEFORE DRILLING.



**COPYRIGHT:**  
THIS DRAWING IS PROTECTED BY COPYRIGHT. ANY USE IS FORBIDDEN WITHOUT THE WRITTEN CONSENT OF SPINLOCK.

ALL DIMENSIONS IN MM

SCALE PAGE SIZE DATE

1:2 A4 APR 2018

MAX LINE SIZE  
14mm  
FASTENERS  
M8 CSK  
x 4

PRODUCT CODE

T50-2  
T50-2A

WEIGHT

190g  
260g

SWL PER SHEAVE

1000kg  
1000kg

SWL PER UNIT

1000kg  
1000kg

**T50-2**

FOR MORE INFO CONTACT  
SPT@SPINLOCK.CO.UK