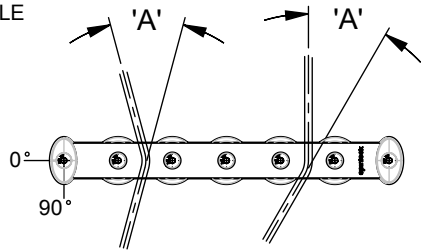


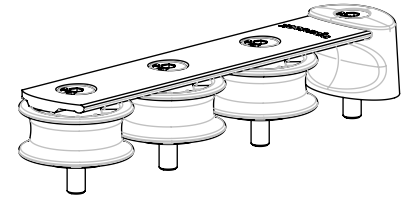
DEFLECTION ANGLE



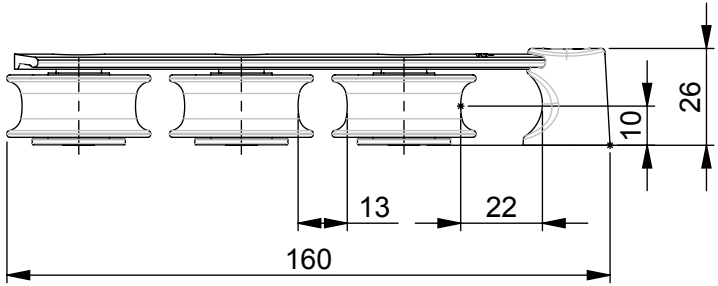
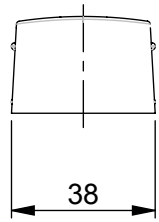
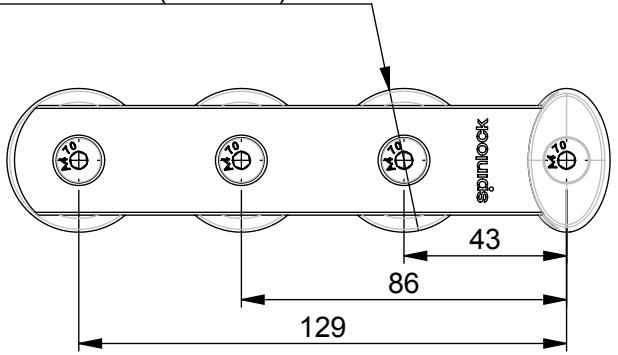
BISECTED ROPE ENTRY

STRAIGHT ROPE ENTRY

DEFLECTION ANGLE, 'A' (°)	MAX ROPE TENSION (KG)
10	3440
15	2300
30	1160
45	780
60	600
90	420



Ø 38 COMPOSITE SHEAVE (T38/3Y)  
ALLOY SHEAVE (T38/3YA)



**spinlock**  
BE ADVENTURE-PROOF



**WARNING:**  
IF USING AS DRILL TEMPLATE, ENSURE PRINTER SETTINGS ARE ADJUSTED TO ACCOUNT FOR THE DRAWING SCALE AND **ALWAYS** CHECK DIMENSIONS BEFORE DRILLING.



**COPYRIGHT:**  
THIS DRAWING IS PROTECTED BY COPYRIGHT. ANY USE IS FORBIDDEN WITHOUT THE WRITTEN CONSENT OF SPINLOCK.

ALL DIMENSIONS IN MM

SCALE PAGE SIZE DATE

1:2 A4 MAR 2018

LINE SIZE:  
6-12mm  
FASTENERS  
M6 CSK  
x 4

PRODUCT CODE WEIGHT MAX LOAD MAX LOAD PER UNIT

T38/3Y	134g	600kg	900kg
T38/3YA	191g	600kg	900kg

**T38/3Y**

FOR ANY MORE INFO CONTACT  
SPT@SPINLOCK.CO.UK