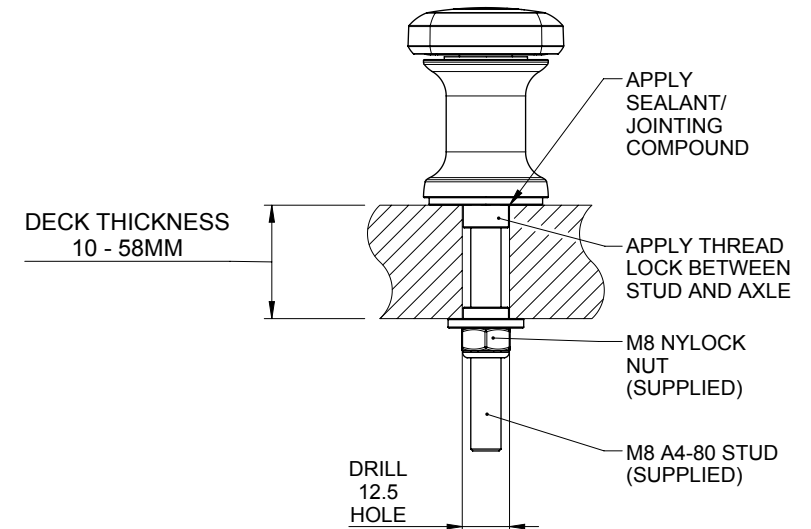
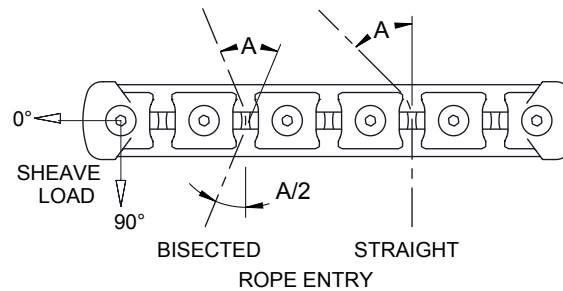


MAXIMUM SHEAVE LOADS:
 LONGITUDINAL (0°) 1500kg
 TRANSVERSE (90°) 1050kg
 COMBINED 6000kg

MAX ROPE TENSION (kg)		
DEFLECTION	BISECTED ENTRY	STRAIGHT ENTRY
ANGLE 'A' (°)		
15	5750	5650
30	2900	2710
45	1960	1690
60	1500	1180
90	1060	740



SHEAVE SPACING:
 STANDARD SHEAVE SPACING SHOWN.
 CUSTOM SPACING AVAILABLE IN 1.0MM INCREMENTS.

WEIGHT:
 1274g (INCLUDING FULL LENGTH STAINLESS STEEL DECK FIXINGS)
 TITANIUM OPTION AVAILABLE (858g) - CONTACT SPINLOCK FOR MORE INFORMATION.

INSTALLATION:
 MOUNTING SURFACE MUST BE SUFFICIENTLY STRONG AND STIFF TO WITHSTAND COMPRESSIVE AND SHEAR FORCES EXERTED BY SHEAVE LOADING

spinlock
 BE ADVENTURE-PROOF

WARNING:
 IF USING AS TEMPLATE, ENSURE PRINTER SETTINGS ARE ADJUSTED TO ACCOUNT FOR THE DRAWING SCALE AND ALWAYS CHECK DIMENSIONS.

COPYRIGHT:
 THIS DRAWING IS PROTECTED BY COPYRIGHT. ANY USE IS FORBIDDEN WITHOUT THE WRITTEN CONSENT OF SPINLOCK.

ALL DIMENSIONS IN MM

SCALE PAGE SIZE
 1:2 (297 x 210)

A4

DATE: OCT17
 LINE SIZE: Ø13 MAX
 FASTENERS: 8 x M8
 MAX LOAD: SEE TABLE

TSR20/8