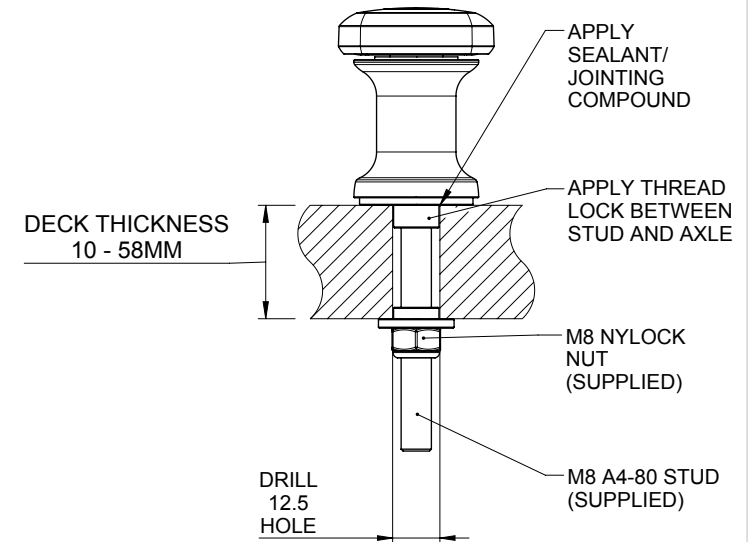
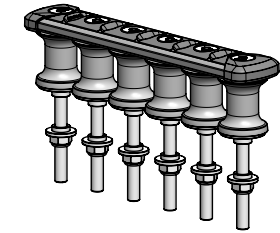
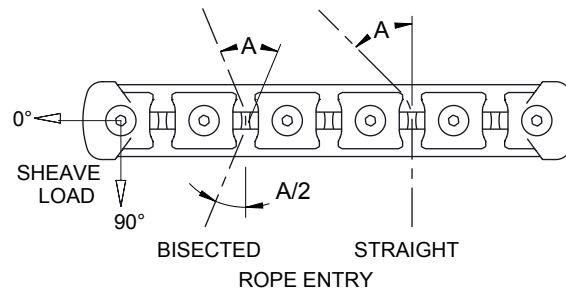


MAXIMUM SHEAVE LOADS:

LONGITUDINAL (0°)	1500kg
TRANSVERSE (90°)	1050kg
COMBINED	4500kg

MAX ROPE TENSION (kg)

DEFLECTION ANGLE 'A' (°)	BISECTED ENTRY	STRAIGHT ENTRY
15	5750	5650
30	2900	2710
45	1960	1690
60	1500	1180
90	1060	740



SHEAVE SPACING:

STANDARD SHEAVE SPACING SHOWN.
CUSTOM SPACING AVAILABLE IN 1.0MM INCREMENTS.

WEIGHT:

956g (INCLUDING FULL LENGTH STAINLESS STEEL DECK FIXINGS)
TITANIUM OPTION AVAILABLE (644g) - CONTACT SPINLOCK FOR MORE INFORMATION.

INSTALLATION:

MOUNTING SURFACE MUST BE SUFFICIENTLY STRONG AND STIFF TO WITHSTAND COMPRESSIVE AND SHEAR FORCES EXERTED BY SHEAVE LOADING

spinlock
BE ADVENTURE-PROOF



WARNING:
IF USING AS TEMPLATE, ENSURE PRINTER SETTINGS ARE ADJUSTED TO ACCOUNT FOR THE DRAWING SCALE AND **ALWAYS** CHECK DIMENSIONS.



COPYRIGHT:
THIS DRAWING IS PROTECTED BY COPYRIGHT. ANY USE IS FORBIDDEN WITHOUT THE WRITTEN CONSENT OF SPINLOCK.

ALL DIMENSIONS IN MM

SCALE

1:2

PAGE SIZE
(297 x 210)

A4

DATE:

OCT17

LINE SIZE:

Ø15 MAX

FASTENERS:

6 x M8

MAX LOAD:

SEE TABLE

TSR20/6