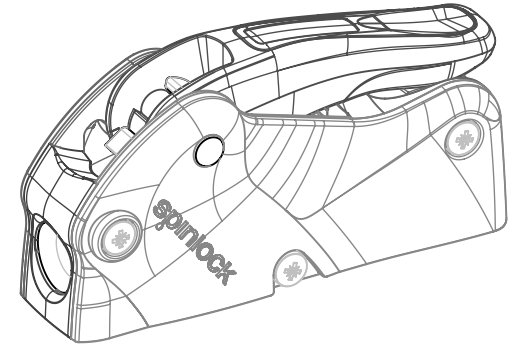
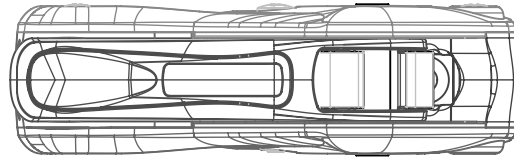
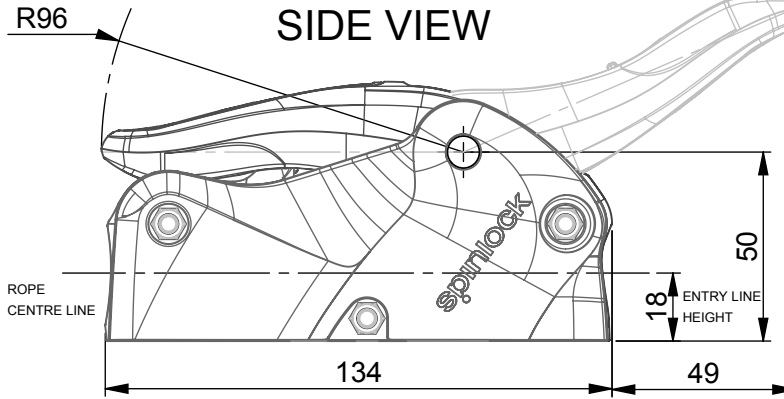
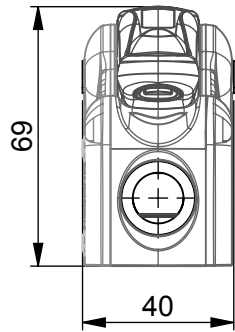


TOP VIEW

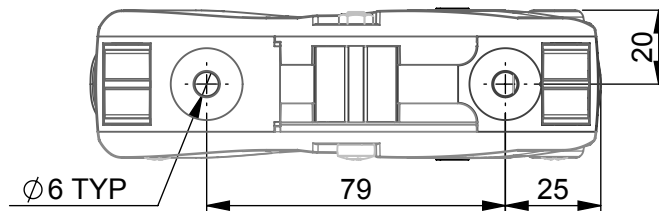


REAR VIEW



ALLOW SUFFICIENT SPACE FRO HANDLE ROTATION.

BOTTOM VIEW



spinlock
BE ADVENTURE-PROOF



WARNING:
IF USING AS A DRILL TEMPLATE, ENSURE PRINTER SETTINGS ARE ADJUSTED TO ACCOUNT FOR THE DRAWING SCALE AND **ALWAYS** CHECK DIMENSIONS BEFORE DRILLING.



COPYRIGHT:
THIS DRAWING IS PROTECTED BY COPYRIGHT. ANY USE IS FORBIDDEN WITHOUT THE WRITTEN CONSENT OF SPINLOCK.

ALL DIMENSIONS IN MM

SCALE PAGE SIZE DATE

1:2 A4 FEB 2018

WEIGHT
282g

FASTENERS
M6 CSK
x 2

PRODUCT CODE

XAS0408/1

XAS0612/1

LINE SIZE

4-8mm

6-12mm

MAX LOAD

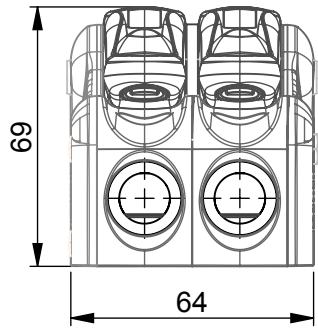
450kg

575kg

XAS/1

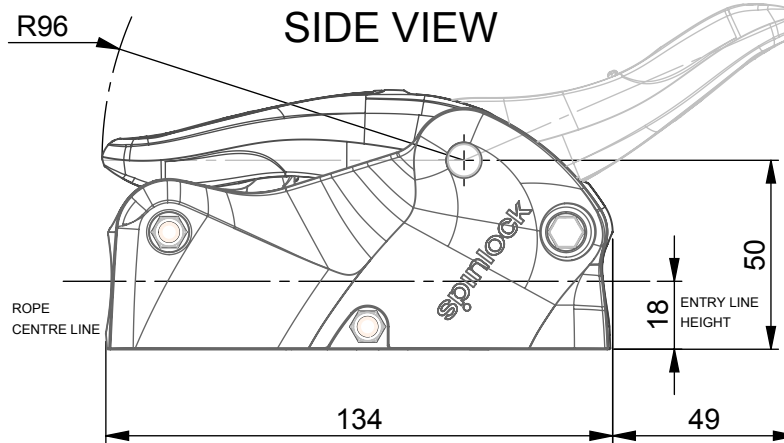
FOR MORE INFO CONTACT SPT@SPINLOCK.CO.UK

REAR VIEW

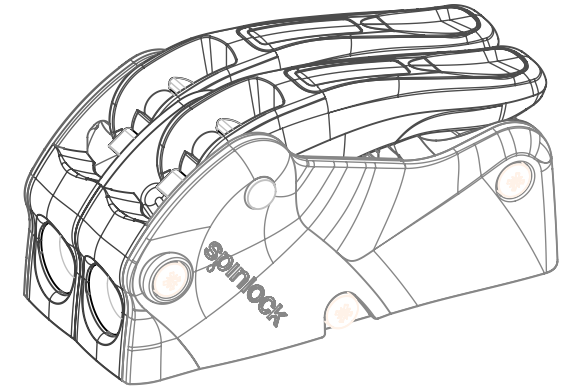


R96

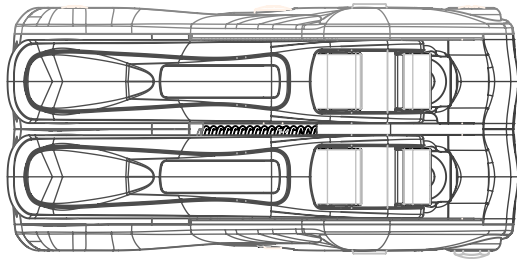
SIDE VIEW



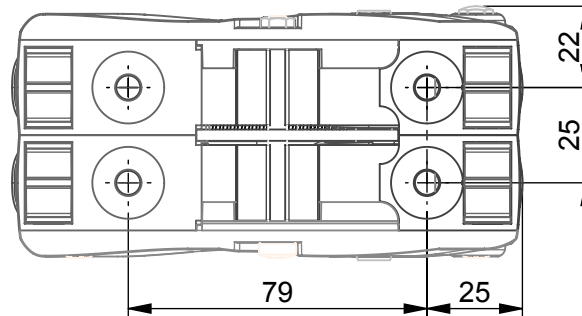
ALLOW SUFFICIENT SPACE FOR HANDLE ROTATION.



TOP VIEW



BOTTOM VIEW



spinlock
BE ADVENTURE-PROOF



WARNING:
IF USING AS A DRILL TEMPLATE, ENSURE PRINTER SETTINGS ARE ADJUSTED TO ACCOUNT FOR THE DRAWING SCALE AND **ALWAYS** CHECK DIMENSIONS BEFORE DRILLING.



COPYRIGHT:
THIS DRAWING IS PROTECTED BY COPYRIGHT. ANY USE IS FORBIDDEN WITHOUT THE WRITTEN CONSENT OF SPINLOCK.

ALL DIMENSIONS IN MM

SCALE PAGE SIZE DATE

1:2 A4 FEB 2018

WEIGHT
358g

FASTENERS
M6 CSK
x 4

PRODUCT CODE

XAS0408/2

XAS0612/2

LINE SIZE

4-8mm

6-12mm

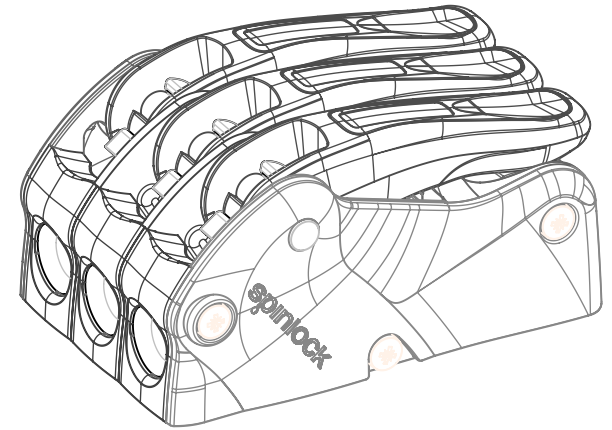
MAX LOAD

450kg

575kg

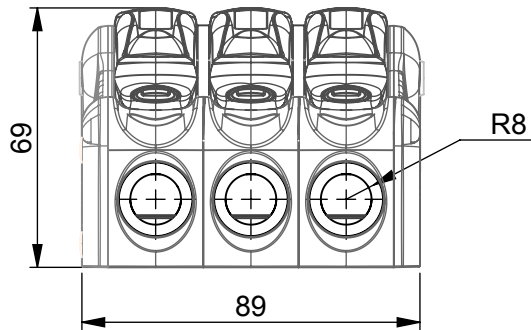
XAS/2

FOR MORE INFO CONTACT SPT@SPINLOCK.CO.UK

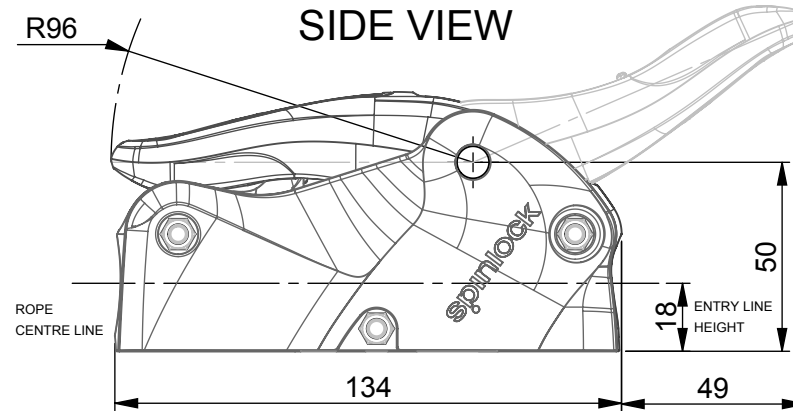


ALLOW SUFFICIENT SPACE FOR HANDLE ROTATION.

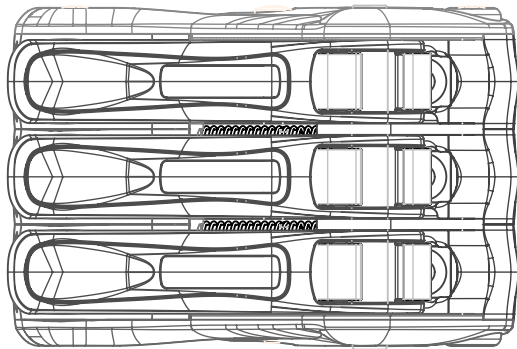
REAR VIEW



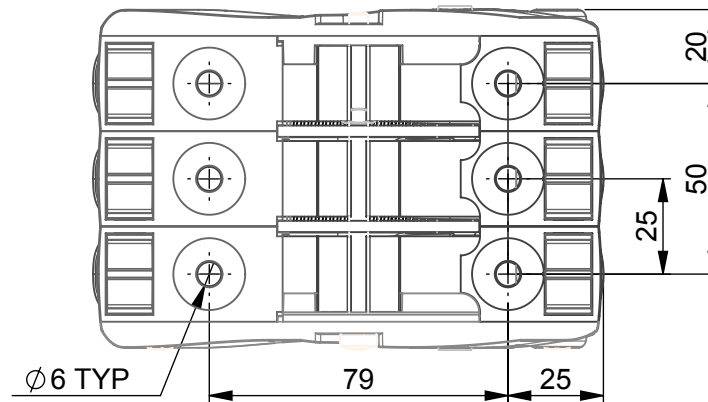
SIDE VIEW



TOP VIEW



BOTTOM VIEW



spinlock
BE ADVENTURE-PROOF



WARNING:
IF USING AS A DRILL TEMPLATE, ENSURE PRINTER SETTINGS ARE ADJUSTED TO ACCOUNT FOR THE DRAWING SCALE AND **ALWAYS** CHECK DIMENSIONS BEFORE DRILLING.



COPYRIGHT:
THIS DRAWING IS PROTECTED BY COPYRIGHT. ANY USE IS FORBIDDEN WITHOUT THE WRITTEN CONSENT OF SPINLOCK.

ALL DIMENSIONS IN MM

SCALE PAGE SIZE DATE

1:2 A4 FEB 2018

WEIGHT
449g

FASTENERS
M6 CSK
x 6

PRODUCT CODE

XAS0408/3

XAS0612/3

LINE SIZE

4-8mm

6-12mm

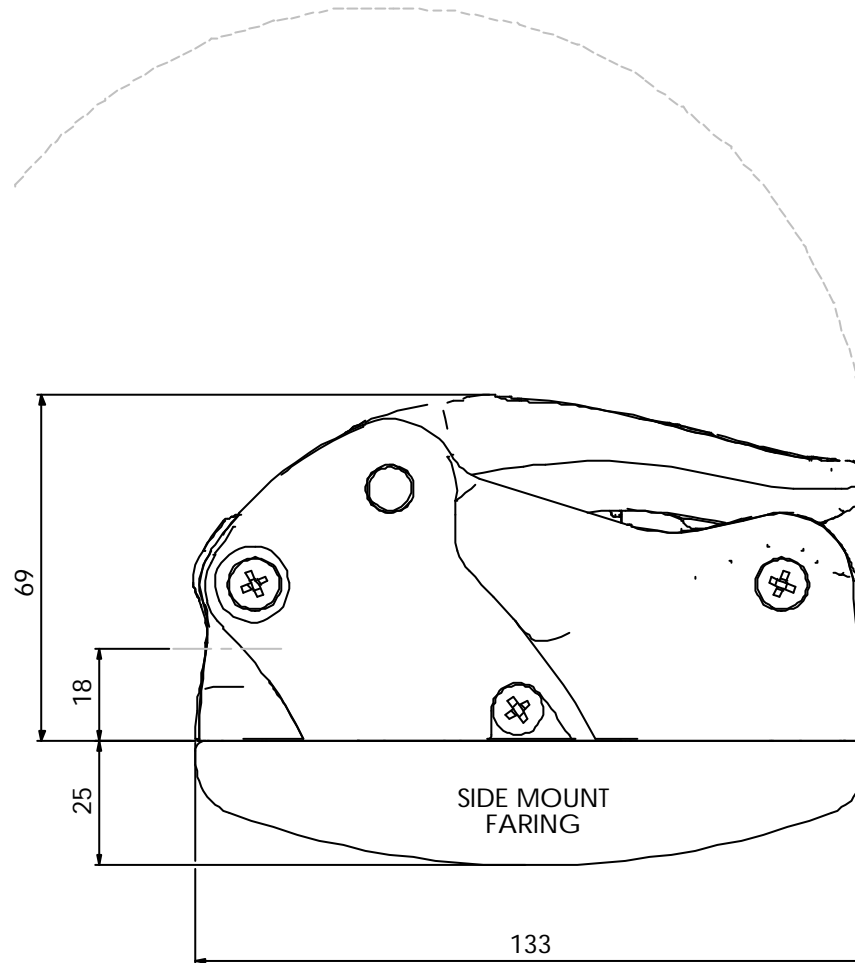
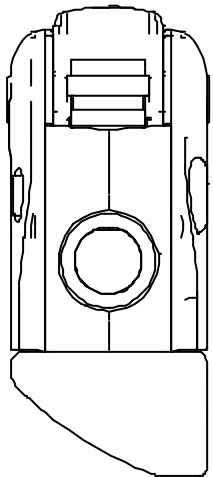
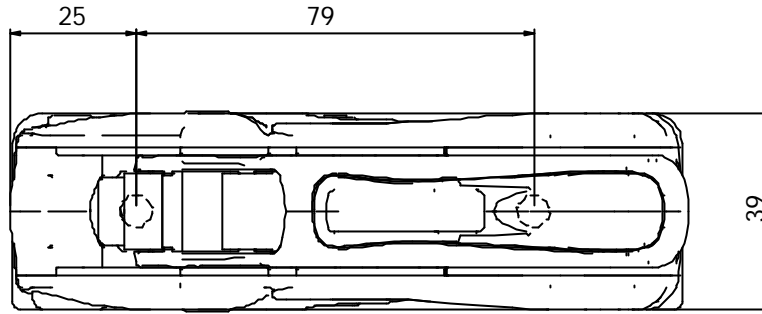
MAX LOAD

450kg

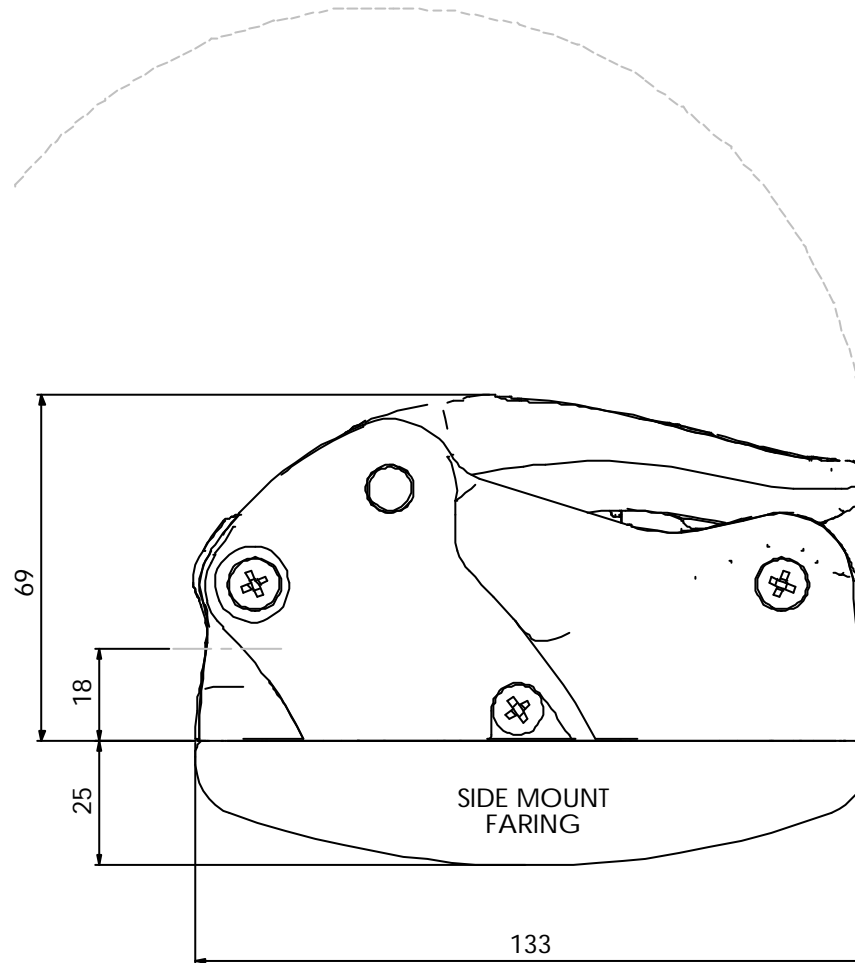
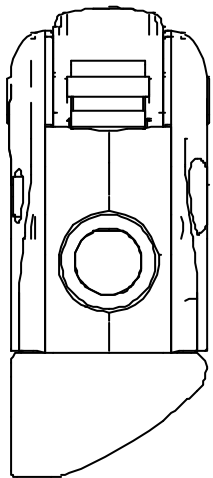
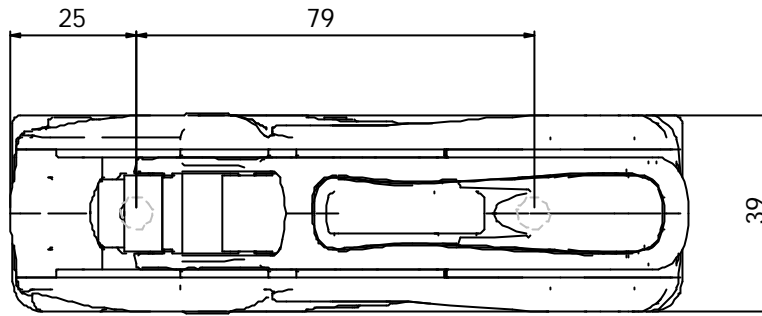
575kg

XAS/3

FOR MORE INFO CONTACT SPT@SPINLOCK.CO.UK



| |
|---|
| spinlock |
| SPINLOCK REFERENCE XAS0612/HP |
| SCALE ALL DIMENSIONS IN mm |
| RECOMENDED FASTENERS 2 x M6 CSK (5/16") |



| |
|---|
| spinlock |
| SPINLOCK REFERENCE XAS0612/HS |
| SCALE ALL DIMENSIONS IN mm |
| RECOMENDED FASTENERS 2 x M6 CSK (5/16") |