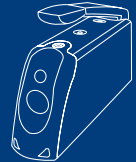


spinlock

The perfect way to hold very high loads on new high-tech low stretch ropes; safely, permanently and without rope wear.

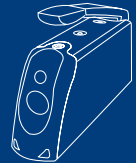
XX Clutch

XX0812	<i>XX powerclutch for 8-12 mm lines</i>
XX0812/L	<i>lock open version XX powerclutch</i>
XX0812/S	<i>silver anodised XX powerclutch</i>
XX0812/LS	<i>lock open version XX powerclutch silver anodised</i>
XX0812/HS	<i>XX powerclutch for side mounting starboard</i>
XX0812/HP	<i>XX powerclutch for side mounting port</i>



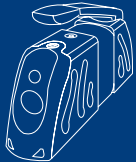
XXB Clutch

XXB0812	<i>XXB powerclutch with ceramic jaws</i>
XXB0812/L	<i>lock open version XXB powerclutch</i>
XXC0812/S	<i>silver anodised XXB powerclutch</i>
XXC0812/LS	<i>lock open version XXB powerclutch silver anodised</i>
XXC0812/HS	<i>XXB powerclutch for side mounting starboard</i>
XXC0812/HP	<i>XXB powerclutch for side mounting port</i>



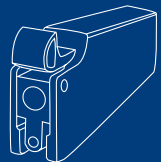
XXC Clutch

XXC0812	<i>CTIC Series, Black</i>
XXC0812/HP	<i>CTIC Series bolted port sidemount, Black</i>
XXC0812/HS	<i>CTIC Series bolted starboard sidemount, Black</i>
XXC0812/HBP	<i>CTIC Series bonded port sidemount, Black</i>
XXC0812/HBS	<i>CTIC Series bonded starboard sidemount, Black</i>



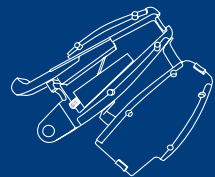
ZS Jammer

Alloy	Carbon
ZS0810	ZS1014C
ZS1214	ZS1014B <i>supplied ready for bonding</i>
ZS1618	ZS1618C
	ZS1618B <i>supplied ready for bonding</i>
	ZS1824C
	ZS2632C



ZS Open Jammer

ZS0810/OPEN	<i>8-10 mm lines</i>
ZS1014/OPEN	<i>10-14 mm lines</i>
ZS1418/OPEN	<i>14-18 mm lines</i>
ZS1824/OPEN	<i>18-24 mm lines</i>
ZS2632/OPEN	<i>26-32 mm lines</i>



	page no.
Introduction	4
Performance	5-7
ZS Alloy Jammers and ZS Carbon Jammers	
How to use	8-9
Installation	16
Maintenance	22-23
ZS Open Jammers	
How to use	10-11
Installation	17
Maintenance	22-23
ZS Remote Lock Back Switch	
How to use	12-13
Installation	18-19
XX Clutches	
How to use	14-15
Installation	20-21
Maintenance	24-27
Options for the XX0812 range	
Handle Assembly Replacement XX-HDLB	28-29
Handle Assembly Replacement XXC-HDLB	30-31
Converting XX0812 to XX0812/L lock open version	32-33
XX / XXC0812 side mounting	34
ZS and XX Custom Options	35
ZS and XX Range Spares	36-37
RP25 rope treatment	38
Special Projects Team and customer support	39-40

	page no.
Introduction	42
Performance	43-45
Mode d'emploi	
Coinceurs ZS Alloy et ZS Carbon	46-47
Coinceurs ZS Open	48-49
Commutateur de verrouillage arrière ZS-RLB à distance	50-51
Bloqueurs XXC0812, XX0812, XX0812/L	52-53
Installation	
Coinceurs ZS Alloy	54
Coinceurs ZS Carbon	55
Commutateur de verrouillage arrière ZS-RLB à distance	56-57
Bloqueurs XXC0812, XX0812, XX0812/L	58-59
Entretien	
Coinceurs ZS Alloy, Carbon et Open	60-61
Bloqueurs XXC0812, XX0812, XX0812/L	62-65
Options pour le serie XX0812	
Remplacement du mécanisme d'assemblage de la poignée XX0812-HDLB	66-67
Remplacement du mécanisme d'assemblage de la poignée XXC0812-HDLB	68-69
Transformer le bloqueur XX0812 en Open XX0812/L	70-71
Fixation latérale XX / XXC0812	72
Options sur-mesure ZS et XX	73
Pièces détachées ZS, XXC et XX	74-75
Système de mesure de charges ZS Ropesense	76-76
Traitement des cordages RP25	87
Special Projects Team et service client	88

Spinlock are the experts in high load rope holding. These high load models are designed to match the advances in high strength ropes. With their unique wedge action they will hold expensive sheets and halyards safely and securely, with low risk of damage.

Products in the high load range include the ZS Alloy, ZS Carbon, ZS Open Jammers, XX, XXB and XXC Powerclutch, holding ropes from 8mm to 32mm and loads up to 12000kg.

High Load products included in this instruction booklet include:

XX Clutch	XXB Clutch	XXC Clutch	ZS Alloy	ZS Carbon	ZS Open
XX0812	XXB0812	XXC0812	ZS0810	ZS1014C	ZS0810/OPEN
XX0812/L	XXB0812/HP	XXC0812/HP	ZS1214	ZS1014B	ZS1014/OPEN
XX0812/S	XXB0812/HS	XXC0812/HS	ZS1618	ZS1618C	ZS1418/OPEN
XX0812/LS	XXB0812/L	XXC0812/HBP		ZS1618B	ZS1824/OPEN
XX0812/HS	XXB0812/S	XXC0812/HBS		ZS1824C	ZS2632/OPEN
XX0812/HP	XXB0812/LS	XXC0812/L		ZS2632C	

ZS1014B, ZS1618B and XXC0812/HBP/HBS are supplied designed for bonding directly onto spars, booms and decks (see page 17).

ZS1214, ZS1014C, ZS1014B, ZS1618C and ZS1618B are supplied with jaws and rear blocks prepared for use with 'ZS-RLB' Remote Lock Back Switch allowing pre tensioning of the jaws for release and remote operation of the jammer (see page 18).

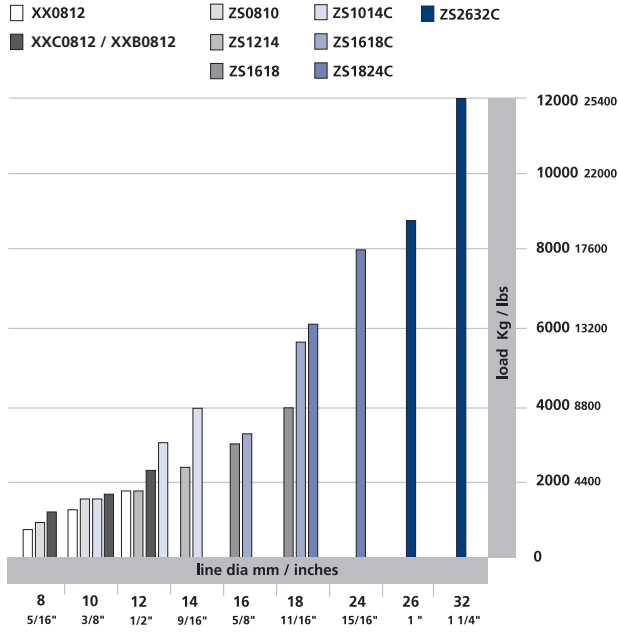
The ZS and XX range of clutches and jammers are designed to generate high compressive loads on the rope to ensure the core bears the greater part of the load without over stressing the polyester or other fibres of the outer braid or cover. The structure of the jammers and clutches can withstand loads beyond the stated max holding load. The data shown, represents the maximum safe achievable holding power we recommend for each product for a given diameter with polyester covered ropes.

The actual load achievable can vary considerably according to the quality and construction of the rope used. Before selecting the rope to use in the product, check:

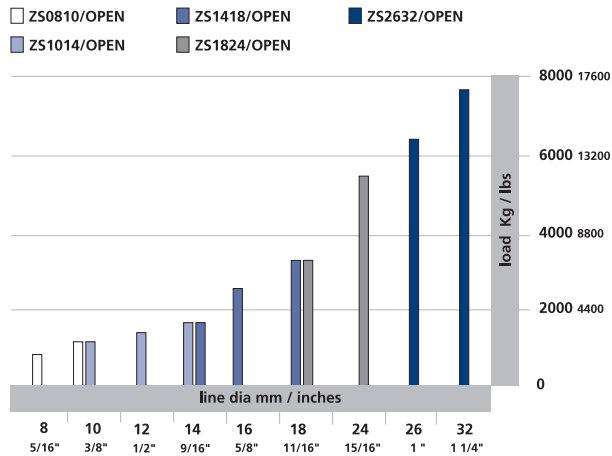
- The actual measured diameter under load.
- Other cover blends can be successfully be held with ceramic jaw sets.
- The cover is a close fit on the core with an interface layer or fibre coating. Nominal section should be round.
- Sleeved areas are fully pre-tensioned with smooth entry and exit tapering.
- The load rating for the rope and safety factor recommended by the rope manufacturer.

Recent development in rope manufacture has centred on the use of blended covers, where high tech fibres such as Aramid, Technora, Dyneema or Vectran are co-braided with polyester or polypropylene. Whilst hardwearing, with a high degree of heat resistance, these covers can be harder to hold in clutches or jammers compared to polyester covered lines. **See Page 36 or contact the Special Projects Team for advice on custom jaw surfaces to suit specific blended covers, including high line speed protection.**

Jammer & Clutch
Max Safe Working Loads



Open Jammer
Safe Working Loads



Model	Line Dia	Maximum SWL	Weight without fasteners	Weight with fasteners	Standard Fasteners (supplied)	Fasteners (side mounting)
Alloy	XX0812	8-12mm (5/16-1/2")	1800kg (3970lbs)	1.05kg (2.3lbs)	1.12kg	2 x M8 Not supplied see page 30
	XXB0812	8-12mm (5/16-1/2")	2350kg (5180lbs)	1.05kg (2.3lbs)	1.12kg	2 x M8 Not supplied see page 30
	XX0812 /HP & /HS	8-12mm (5/16-1/2")	1800kg (3970lbs)	1.05kg (2.3lbs)	1.12kg	5 x M6 5 x M6
	ZS0810	8-10mm (5/16-3/8")	1500kg (3310lbs)	0.7kg (1.55lbs)	0.77kg	3 x M8 6 x M6
	ZS1214	12-14mm (7/16-9/16")	2200kg (4850lbs)	1.05kg (2.3lbs)	1.19kg	4 x M8 6 x M6 use A4-70
	XXC0812	8-12mm (5/16-1/2")	2300kg (5070lbs)	0.84kg (1.85lbs)	0.86kg	5 x M6 Titanium 95 GS -
	XXC0812 /HP & /HS	8-12mm (5/16-1/2")	2300kg (5070lbs)	0.85kg (1.87lbs)	0.87kg	- 5 x M6 Titanium 95 GS
	XXC0812 /HBP & /HBS	8-12mm (5/16-1/2")	2300kg (5070lbs)	0.85kg (1.87lbs)	-	- Bond
	ZS1618	16-18mm (5/8-11/16")	4000kg (8820lbs)	2.0kg (4.4lbs)	2.36kg	4 x M10 6 x M8 use A4-70
Carbon	ZS1014C	10-14mm (3/8-9/16")	4000kg (8820lbs)	0.65kg (1.45lbs)	0.89kg	4 x M10 Use ZS1014B
	ZS1014B Bonded	10-14mm (3/8-9/16")	4000kg (8820lbs)	0.63kg	-	-
	ZS1618C	16-18mm (5/8-11/16")	6000kg (13230lbs)	1.15kg (2.5lbs)	1.51kg	6 x M10 Use ZS1618B
	ZS1618B Bonded	16-18mm (5/8-11/16")	6000kg (13230lbs)	0.91kg	-	-
	ZS1824C	18-24mm (11/16-15/16")	8000kg (17640lbs)	1.75kg (3.85lbs)	2.36kg	10 x M10 Bond
	ZS2632C	26-32mm (1-1 1/4")	12000kg (26460lbs)	5.1kg (11.24lbs)	5.95kg	14 x M10 -
Open/Mobile	ZS0810/ OPEN	8-10mm (5/16-3/8")	1200kg (2650lbs)	0.9kg (1.98lbs)	-	-
	ZS1014/ OPEN	10-14mm (3/8-9/16")	1800kg (3970lbs)	1.2kg (2.65lbs)	-	-
	ZS1418/ OPEN	14-18mm (9/16-11/16")	3200kg (7040lbs)	1.9kg (4.19lbs)	-	-
	ZS1824/ OPEN	18-24mm (11/16-15/16")	5200kg (11440lbs)	4kg (8.8lbs)	-	-
	ZS2632/ OPEN	26-32mm (1-1 1/4")	7800kg (17160lbs)	6.1kg (13.45lbs)	-	-

The jammers are relatively simple to operate, but because of the high loads it is important to fully understand their function before use.

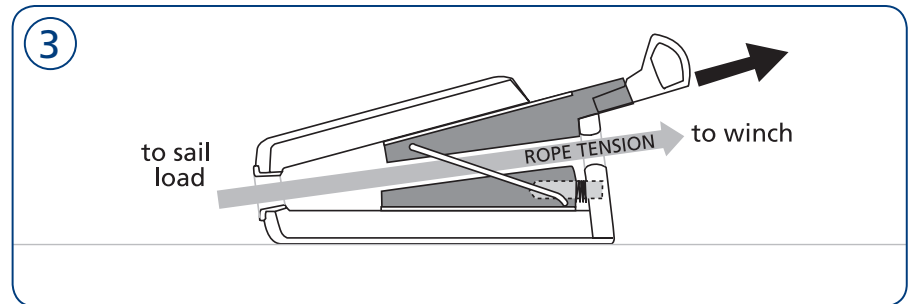
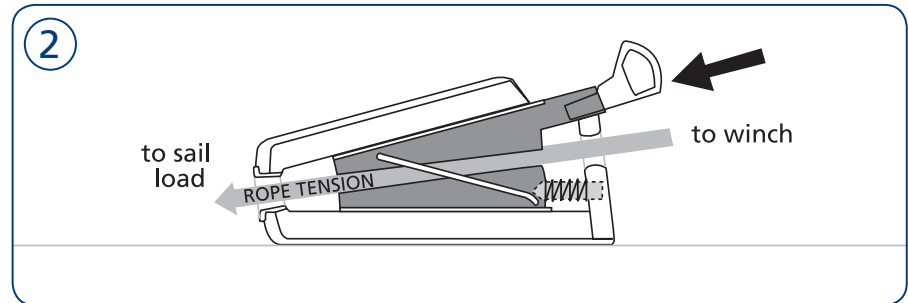
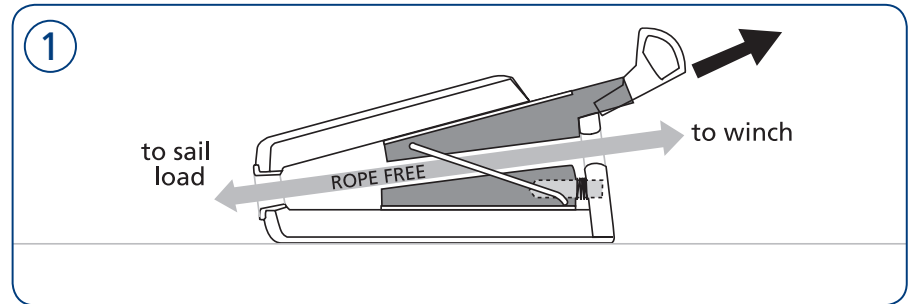
1. To Open : Pull handle out until latch clicks. The latch must be fully engaged to hold the jaws open.

The rope can now be inserted and run freely in either direction. On large diameter ropes it may be easier to lead the rope through the jammer with the jaws removed. (see *maintenance*).

2. To lock line : Hoist sail and tension with winch. Before easing load from the winch, release the latch in the handle and push the jaws forward onto the rope. Continue to apply firm pressure on the handle as the load is eased off the winch onto the jammer. Once the jaws are fully engaged onto the rope, they will slide forward a few millimetres as the full load is secured.

3. To Re-Open : The full load in the rope must be returned to the winch before the jammer can be opened. Never attempt to the open jammer without transferring the load back onto the winch. Only when the load is secured on the winch is it safe to pull the handle back and engage the latch. The jaws are now fully locked open and the rope can be controlled from the winch to run freely through the jammer.

Safety Feature : ZS Jammers can only be released after the rope load has been transferred to the winch drum.



ZS Open Jammer

The ZS OPEN can be locked onto any loaded line to give the perfect solution for peeling spinnakers, headsails, reefing and dealing with an emergency.

1. Secure strop to padeye or winchbase of sufficient strength and aligned as close to the line of load as possible.
2. Open the sideplate and engage the ZS OPEN onto the line. Then close ensuring the sideplate latch is securely closed.
3. Slide jammer along the line so the strop is tight (this reduces runout) and engage jaws, by releasing the jaw latch.
4. Carefully release the original loaded line from winch so the strop and ZS OPEN jammer take the load.

Releasing the ZS Open Jammer

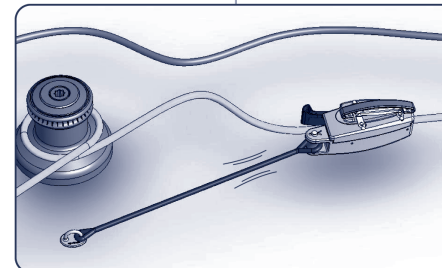
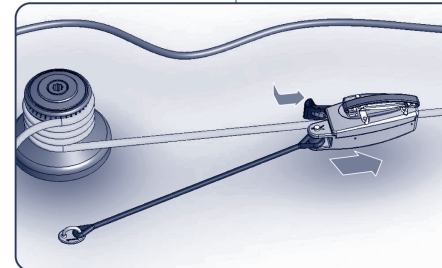
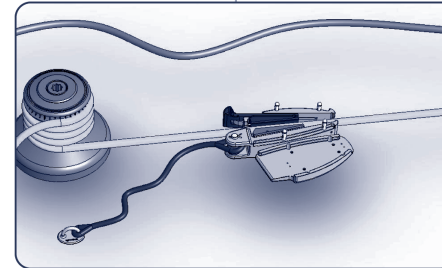
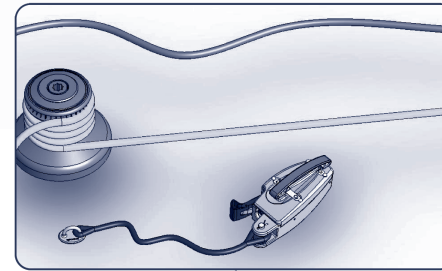
The ZS Open Jammer is released by holding the handle and sliding the body forward, not pulling the handle back. Ensure there is enough slack in the strop to allow disengagement of the Jaws.

Important Notes

Ensure prior to transferring a load that the:

- Coverplate is fully engaged onto the main body
- Latches are locked into the location pins

This ensures that the burst loads are shared by both side plates. Failure to do this will cause the body to permanently deform and the cover plate will no longer fit. If the unit should be overloaded the white PTFE bearing will show signs of deforming at its contact with the upper and lower faces of the body.



ZS-RLB Remote Lockback Switch

For use with ZS Jammers or existing halyard locks. Allows the ZS Jaws to be pre-tensioned for release.

ZS1214, ZS1014C, ZS1014B, ZS1618, ZS1618C and ZS1618B Jammers are all supplied with jaws and rear block drilled for trip line attachment and lead. Older style ZS Jammers in this range can be modified to use the ZS-RLB. Contact the Special Projects Team for assistance in modifying older products.

Step 1

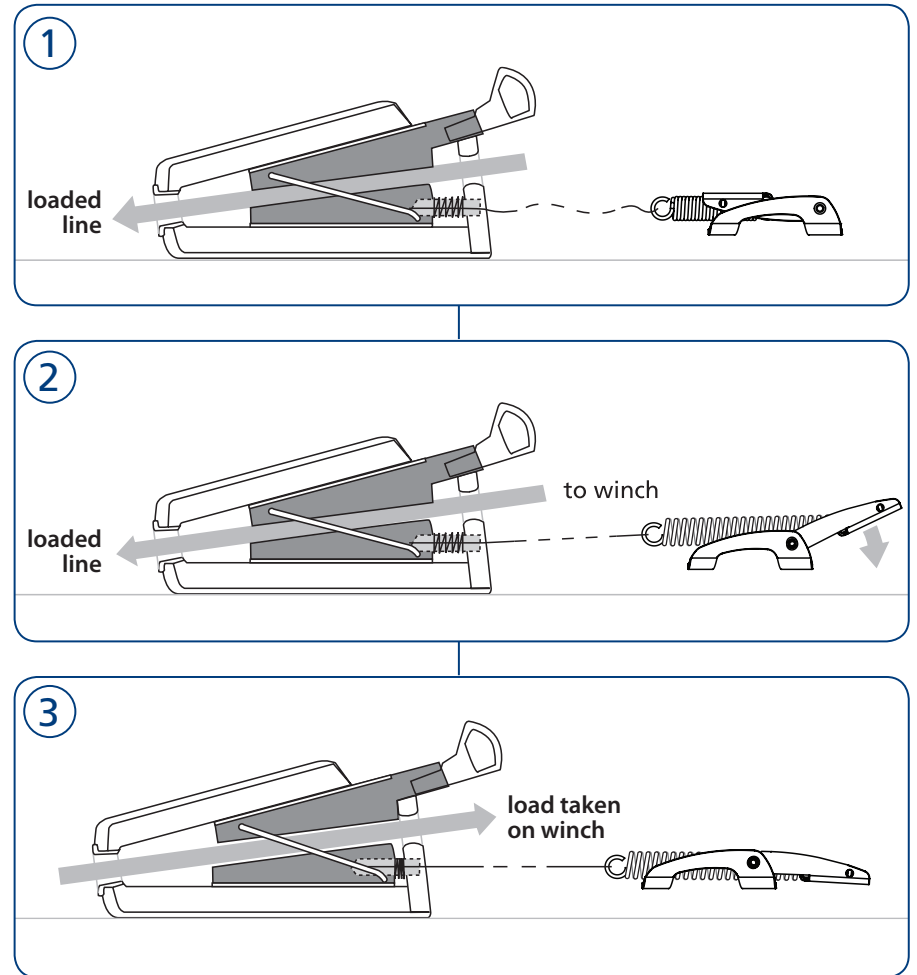
The start position - ZS-RLB closed, trip line slack and ZS Jammer loaded.

Step 2

Open the ZS-RLB to pre-tension the trip line - the ZS Jammer is now ready to release.

Step 3

Take up load on winch - the ZS-RLB will automatically open the Jaws and allow the line to be released to the winch.



The XX powerclutch offers smooth and controlled release on highly loaded lines. Optimised for high performance 8-12mm diameters, the XX fills the critical load holding gap between clutches and high load ZS jammers.

As well as the standard version, the XX is offered as XXB with ceramic jaws for increased load holding and XXC with ceramic jaws and lightweight body. All models are offered with 'lock open' feature, allowing the line to freely move in both directions with the handle closed and all models can also be supplied ready for remote control.

Line feeding into the XX0812 : Using a long screwdriver, place its shaft through front bullseye and locate tip on front face of lower jaw. Push backwards until the jaw stops. With the jaws in this position raise and fully open the handle. This locks the jaws back at their biggest clearance and allows easy threading of your new rope.

This process is not necessary for the XX Lock Open Version.

With your new rope threaded you can now close the handle. As the handle closes, the XX clutch will automatically engage the rope.

Release : As a safety feature, no release action begins until the handle is rotated beyond 60 degrees.

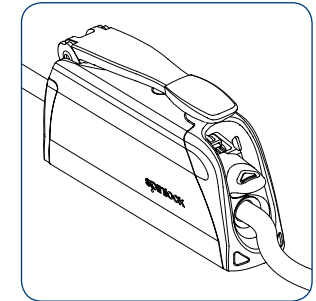
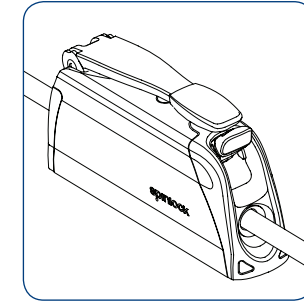
To protect the user and rope fibre, normal hand pressure will not release the rope above this load.

Important : Always start the release process with the handle in the closed position for full release efficiency. If at any time you only part open the handle we advise completely **opening and closing (cycling)** the handle, with the line secured on the winch, to ensure the mechanism is re-set for full release next time. Failure to do this will result in poor holding power and worn jaw surfaces.

Sleeving : Secondary sleeving (internal or external) of the rope significantly improves the performance levels of any clutch or jammer. Any external sleeving should be a very tight fit. If you are going to sleeve your rope, ensure that the overall diameter does not exceed 12mm and has a taper to run freely through the clutch. **Core inserts provide the smoothest transition for fast line speed applications.**

XXA0812, XXB0812 and XXC0812 Lock Open Clutch Operation

1. With the lock open latch in the UP position the line runs freely through the XX
2. When the latch is pushed DOWN with the handle closed, the line is held secure
3. To release the line, the handle can either be opened normally, OR
4. With the handle in the closed position, move the lock open latch to the UP position. When the load is taken securely on a winch the jaws will automatically release, allowing the line to run free, with the handle still in the closed position. The jaw will remain open until the latch is returned to the down position, even if the handle is cycled.



Watch the XX Demonstration Video at www.spinlock.co.uk

If fitting to the deck, install the jammers forward of the winch, close enough for easy operation of the handle and latch, ensuring enough space is left behind the product for removal of the jaw assembly for maintenance. The jammers are provided with studs (A4-70 stainless steel) in a pattern. This helps spread the load into lightweight composite decks or masts.

They are a tight fit to ensure good thread engagement. Drilling templates for deck layout are provided with the product.

Warning : The studs should be screwed a maximum of 15mm into the body. Over tightening may damage internal bearing surface

Side Mounting : Replace the six body fasteners with longer bolts. These can be inserted from either side by removing the round insert nuts. These must be at least A4-70 stainless steel bolts if the maximum safe working loads are to be reached. Refer to specification chart (page 7).

Double check the hole pattern is correct for the jammer before drilling. The pattern is not reversible.

Mast Mounting : Mast mounting plates are available, see page 34 for details. CAD templates can be download from:

www.spinlock.co.uk/cadlibrary

The Jammers are not designed to withstand high side loads. If the lead angle to the winch is greater than 10 degrees, fit lead blocks or organisers aft of the jammers. Contact the Special Projects Team for details of our TSR High Load Aft Organiser.

Spinlock offer ceramic jaw surfaces for specific rope covers and ensure more consistent long term holding

ZS P-Series Jaws - Anodised jaws designed for use with Dyneema core and Polyester covered lines

ZS HC-Series Jaws - Designed for use with Dyneema core and a cover blend of Polyester with a low stretch material such as Technora or Vectran. The ceramic surface resists polishing and wear, allows faster engagement onto loaded line and offers improved load holding.

If fitting to the deck, install the jammers forward of the winch, close enough for easy operation of the handle and latch, ensuring enough space is left behind the product for removal of the jaw assembly for maintenance. ZS Carbon Jammers are provided with studs (A4-70 stainless steel) in a staggered pattern. This helps spread the load into lightweight composite decks or masts.

Warning : The studs should be screwed a maximum of 15mm into the body. Over tightening may damage internal bearing surface.

They are a tight fit to ensure good thread engagement. Drilling templates for deck layout are provided with this product. **Double check the hole pattern is correct for the jammer before drilling. The pattern is not reversible.**

Side mounting : ZS1014B and ZS1618B Carbon Jammers are designed to be bonded.

Mast Mounting : Mast mounting plates are available, see page 34 for details. CAD templates can be download from:

www.spinlock.co.uk/cadlibrary

Bonded Mounting : ZS1014B and ZS1618B are designed for bonding directly onto decks, spars and booms.

Note: we are unable to provide engineering data on materials and instructions for bonding. It is essential to refer to your own engineering design data, load data and materials supplier for guidance.

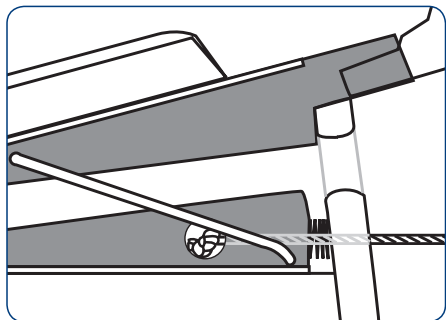
The Jammers are not designed to withstand high side loads. If the lead angle to the winch is greater than 10 degrees, fit lead blocks or organisers aft of the jammers. Contact the Special Projects Team for details of our TSR High Load Aft Organiser.

Warning : Post installation cleaning is essential to avoid jaw set damage, slippage and possible rope damage on first use. Lubricant is provided. Follow maintenance instructions on page 22.

ZS-RLB Remote Lockback Switch

For use with ZS1214, ZS1618, ZS1014C, ZS1618C, ZS1014B and ZS1618B Jammers or existing halyard locks. Allows the ZS Jaws to be pre-tensioned for release.

1. Mount the ZS-RLB in it's preferred location using M5 fasteners.
2. Choose a suitable very low stretch control line 2-4mm which can be spliced.
2. Attach the control line to the jaw set using a thumb knot or similar - see diagram below. Remove rear block and jaw step (see page 22).
3. Thread the control line through the spring and rear block and fasten the rear block into place.
4. With the control line cut to approximately the correct length, splice the control line to the eye of the RLB-Spring using an adjustable splice.



5. Ensure the control line has a free, un-interrupted, low friction run to the jammer. If necessary use bulls eyes or blocks to ensure a smooth run.
6. With the jaw set loaded on the correct diameter line and the RLB closed, adjust the control line splice so it is just taut.
7. Check operation as described (see page 12 and 13). Some adjustment may be necessary before making the splice permanent.
8. Changes in the rig set-up or line diameter will require the control line splice to be adjusted.



1. Align the clutch with the required rope lead, checking height and minimising the angle of alignment.
2. Drill two holes to suit the M8 fasteners using template (never drill through the clutch). For spars, etc. where no access is possible, use an M8 tap to thread the surface material, ensuring the material has sufficient strength to carry the full clutch load. The fasteners must be replaced with **M8 A4-80 stainless socket cap or CSK machine screws for the XXB and XX0812, or M8 titanium socket cap or CSK machine screws for the XXC0812.**
3. Check each fastener (already pre-assembled into clutch) to make certain that its hexagonal head is properly seated in its locking moulding.
4. Fasten clutch firmly after sealing upper threads with silicone sealant. In through-deck applications any excess thread can now be ground off.

To access the fasteners or remove jawset : The XX0812 and XXB0812 is supplied fitted with 2 x High Tensile A4-80 stainless steel hex head fasteners and the XXC0812 is supplied with 2 x M8 Titanium Hex Head Fasteners.

If you want to fit your own fasteners, you will only need to remove the rear end moulding to gain access to the aft fixing position.

The forward fastener can be accessed from above (see Diagram 1). The simplest way to remove this fastener is to remove the nut and washer and turn the product upside down. The M8 fastener can now be removed.

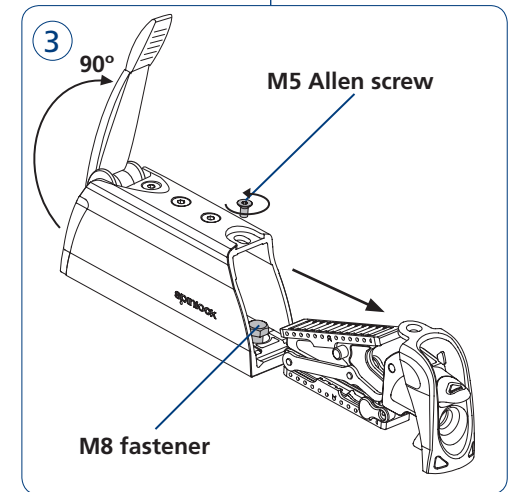
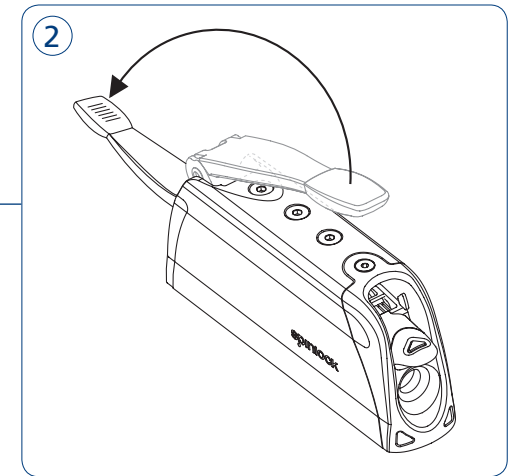
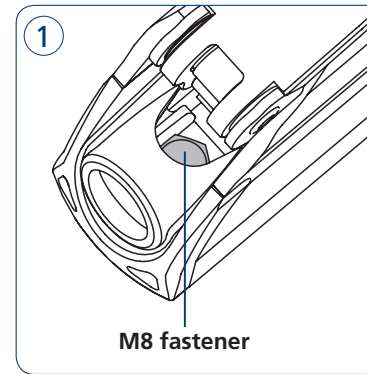
For Lock Open Versions, ensure the lock open latch is in the down position.

Lift handle and rotate fully open and then back to 90° vertical. Access to the M5 Allen screw on the top surface that retains the rear moulding. Remove this screw. (See Diagram 2 and 3).

Hold rear cover at top, pull out from the top (See Diagram 3) pivoting around the top.

When the top of the moulding has rotated free of the body, lift the rear moulding to unhook its base from the body and slide the jawset out. Excessive force is not necessary when performing removal correctly and may damage irreparably the jawset if used (See Diagram 3).

The fastener will now be visible. Leave the retaining moulding in place. (See Diagram 3).



Watch the XX Jaw Set Removal Video at www.spinlock.co.uk

Spinlock ZS Jammers are made from the highest quality materials for durability and low maintenance in a harsh marine environment.

ZS Jammers are carefully designed for easy and regular servicing at sea. Their life and performance will be improved if regularly flushed with fresh water.

The jaws can be easily removed for inspection and replacement:

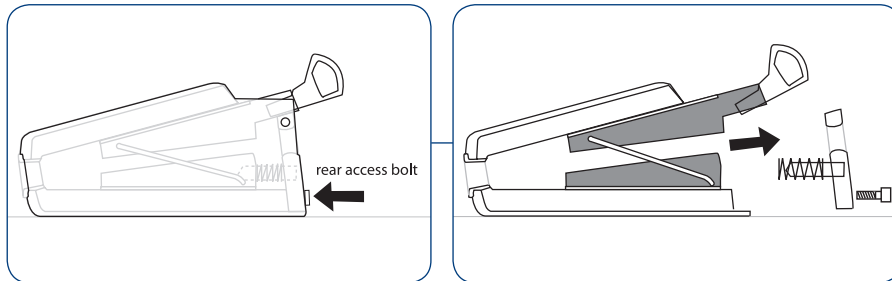
For ZS Alloy and ZS Carbon

- Remove the screw securing the rear block.
- Remove rear block.
- Pull out the handle and jaw assembly.

For ZS OPEN

- Open the sideplate to allow removal of the jaw assembly, remove jaw engagement spring - compress jaws together and extract sideways.

ZS Alloy, ZS Carbon and ZS Bonded



All

- Check for excessive wear on the grip surface - the black anodised surface, if worn, will have silver aluminium showing through.
- Check condition of the white bearings surfaces are clean and smooth. Replace if necessary.
- Ensure all internal faces are clean and smooth.
- Ensure the load and rope type are considered when selecting new jaw set types (see page 16).

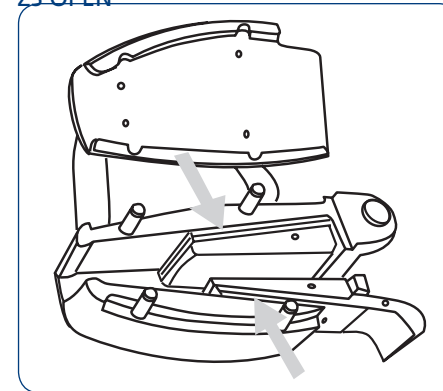
The white jaw bearings should be lubricated only with silicone grease.

Do not use mineral oil or solvent based lubricants like WD40.

Replacement jaw sets must be installed with grease provided.

For further information and instructions on maintenance of ZS jammers, please refer to the Spinlock website or contact prosupport@spinlock.co.uk

ZS OPEN



General maintenance:

Three Simple Steps – flush, drain and lubricate

1. The internal mechanism should be regularly flushed out with fresh water through the end bullseyes, and the handle pivot area.
2. Check that the lower 'drainage' holes in both end mouldings are clear of any debris. This will help reduce the accumulation of any rope debris building up inside the product.
3. Lubricate handle pivot areas with a silicone grease. Unless this simple procedure is carried out regularly, the specified performance will not be achieved. Take care not to contaminate rollers or jaw surfaces with any lubricant.

Note : Any decrease in performance is usually caused by lack of maintenance and servicing. The XXC0812 and XX0812 relies on the smooth running of 2 sets of roller bearings for maximum performance. The rollers and their 'running' surfaces must remain as clean as possible.

Removal from deck

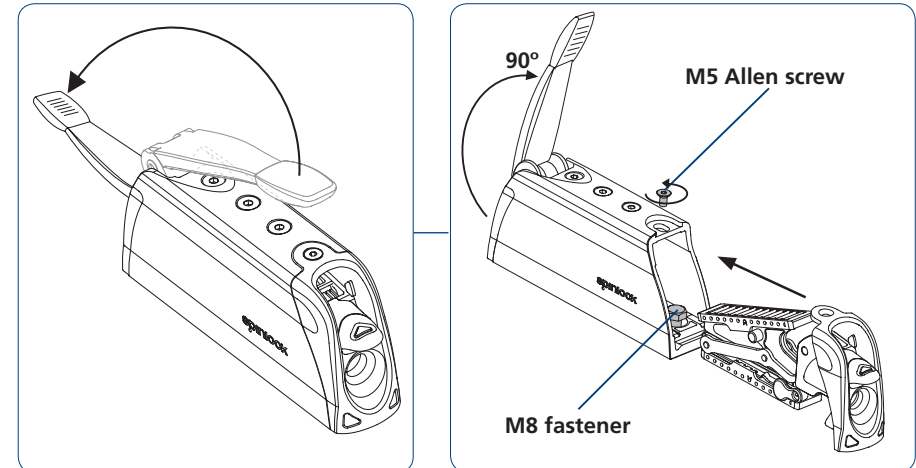
If removing the XX0812 from the deck, care must be taken to ensure the fasteners do not damage the internal mechanism and plastic rear moulding. **Do not hammer fasteners from below.**

Watch the XX Servicing Video at www.spinlock.co.uk

Full servicing and Jaw Replacement:

The clutch should be given a thorough service periodically to ensure maximum performance is maintained. The clutch mechanism is fully accessible whilst attached to the deck - even with other clutches banked alongside - by the following steps.

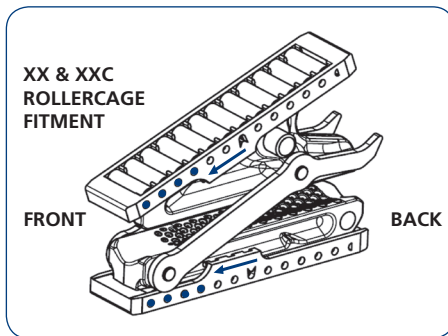
1. Remove the rope from the clutch.
2. For Lock Open Versions, ensure the lock open latch is in the down position.
3. Lift handle and rotate fully open and then back to 90° vertical. Access to the M5 Allen screw on the top surface that retains the rear moulding. Remove this screw.
4. Hold rear cover at top, pull out from the top (See Diagram 3) pivoting around the top.
5. When the top of the moulding has rotated free of the body, lift the rear moulding to unhook its base from the body and slide the jawset out. Excessive force is not necessary when performing removal correctly and may damage irreparably the jawset if used.



- After removal, thoroughly clean all components and body with fresh water and inspect the following critical items :

Roller Cages (both are identical) -

unclip from jaw and look for signs of wear or flats on the roller surfaces. If flats are found replace & consider upgrade to **XX-ROLL+**. Ensure rollers cages are re-attached in correct orientation.



Jaw Bearing Surfaces - ensure that both are clean and smooth.

Jaw Grip Surfaces - clean off any rope debris. Check for excessive wear on the grip surface. If the black anodised surface has aluminium showing through, replace with a new **XX-KIT, XXB-KIT** or **XXC-KIT** assembly as appropriate.

Warning : do not use XXC-JAW in XX clutches as serious damage, harm and injury could occur.

Jaw Linkplates - check these are attached to both sides of both jaws with pins and secured by both pins. Ensure free movement of link plates/pins in jaws.

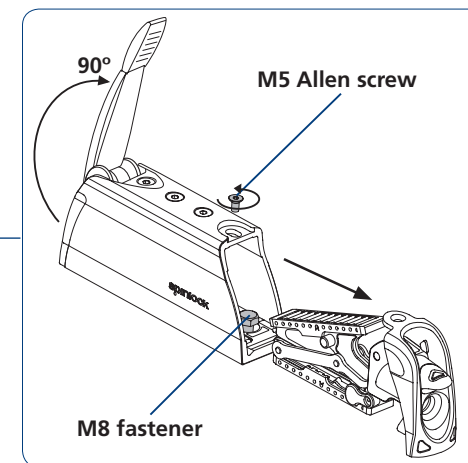
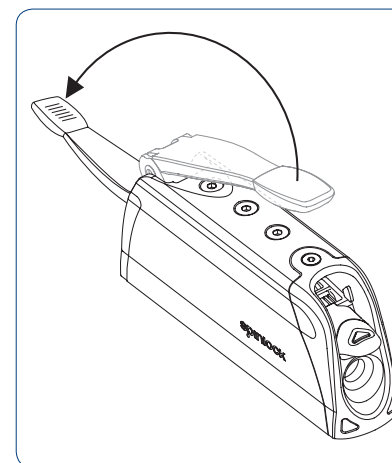
Release Pin - located centrally in top jaw. Check for any signs of surface wear.

Clutch Body - flush clean inside, paying particular attention to the upper and lower roller surfaces, the two drainage runs in the base and their exits at the end mouldings.

Handle - do not remove this from the body. Check that the operation holds the handle in the closed and fully open position (via the leaf spring mounted at the front of the wedge). Lubricate pivots with silicone grease.

Re-assembly

- For Lock Open Versions ensure the lock open latch is in the down position.
- Lift handle and rotate fully open and then back to 90° vertical.
- Insert jaw assembly in body of XX. No force should be applied in stages 3-5.
- Angle rear moulding backward, to locate lower fixing hooks in body.
- Rotate top of cover into place flush with XX body.
- Insert M5 Allen screw into the top surface that retains the rear moulding. Hand tighten only.
- If Lock Open version, ensure latch is fully operational in both up and down positions as well as opening and closing the handle fully.
- For standard versions, open and close the handle fully to ensure fully operational.
- Open handle fully and thread rope through XX body. See page 15 for rope feeding advice.



Handle Assembly Replacement XX-HDLB

1. Remove the rope from the clutch.
2. For Lock Open Versions, ensure the lock open latch is in the down position.
3. Lift handle and rotate fully open and then back to 90° vertical. Access to the M5 Allen screw on the top surface that retains the rear moulding. Remove this screw.
4. Hold rear cover at top, pull out from the top (See Diagram 3) pivoting around the top.
5. When the top of the moulding has rotated free of the body, lift the rear moulding to unhook its base from the body and slide the jawset out. Excessive force is not necessary when performing removal correctly and may damage irreparably the jawset if used.
6. Open handle fully to remove the two M6 CSK screws on top of the product.
7. Slide out the handle assembly through the rear of the body.
8. Thoroughly clean with fresh water and inspect the following critical items:

Roller Cages (both are identical) - unclip from jaw and look for signs of wear or flats on the roller surfaces. If flats are found replace & consider upgrade to **XX-ROLL+**. Ensure rollers cages are re-attached in correct orientation (see page 26).

Jaw Bearing Surfaces - ensure that both are clean and smooth.

Jaw Grip Surfaces - clean off any rope debris. Check for excessive wear on the grip surface. If the black anodised surface has aluminium showing through, replace with a new **XX-KIT, XXB-KIT** or **XXC-KIT** assembly.

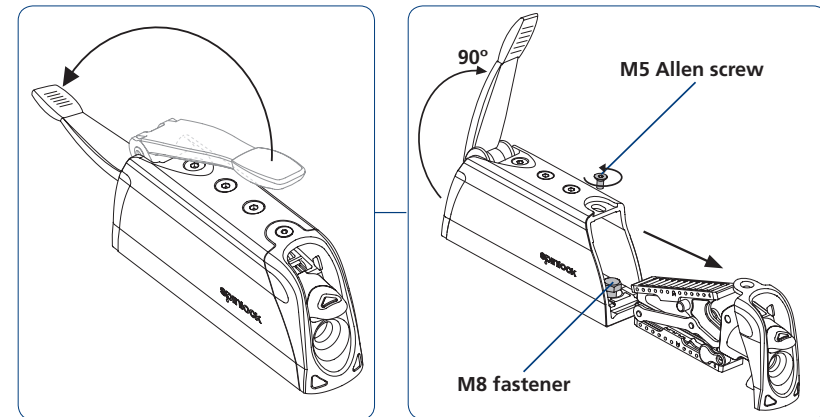
Jaw Linkplates - check these are attached to both sides of both jaws with pins and secured by both pins. Ensure free movement of link plates/pins in jaws.

Release Pin - located centrally in top jaw. Check for any signs of surface wear.

Clutch Body - flush clean inside, paying particular attention to the upper and lower roller surfaces, the two drainage runs in the base and their exits at the end mouldings.

Re-assembly

1. Re-install handle assembly.
2. For Lock Open Versions ensure the lock open latch is in the down position.
3. Lift handle and rotate fully open and then back to 90° vertical.
4. Insert jaw assembly in body of XX.
5. Angle rear moulding backward, to locate lower fixing hooks in body.
6. Rotate top of cover into place flush with XX body.
7. Insert M5 Allen screw on the top surface that retains the rear moulding. Hand tighten only.
8. If Lock Open version, ensure latch is fully operational in both up and down positions as well as opening and closing the handle fully.
9. For standard versions, open and close the handle fully to ensure fully operational.
10. Open handle fully and thread rope through XX body.



Handle Assembly Replacement XXC-HDLB

1. Remove the rope from the clutch.

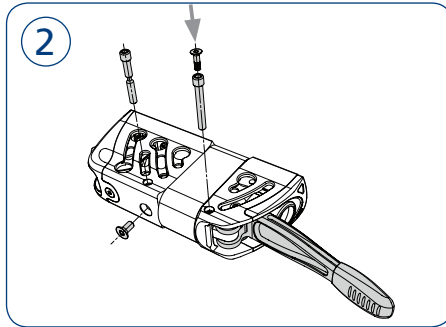
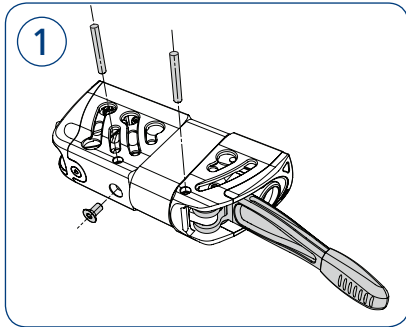
2. For Lock Open versions, ensure the lock open latch is in the down position.

3. Lift handle and rotate fully open and then back to 90° vertical. Access to the M5 Allen screw on the top surface that retains the rear moulding. Remove this screw.

4. Hold rear cover at top, rotate and pull out from the top.

5. Pull the complete rear moulding and jaw assembly free from the body

6. Open handle fully to remove the M6 CSK screw on top of the product.



7. Punch the 2 locating pins through the body (see diagram 1). **Note:** these have been locktite in place. For the side mounted versions screw in a M4 fastener into the pin to lift and remove (see diagram 2).

8. Slide out the handle assembly through the rear of the body.

9. Thoroughly clean with fresh water and inspect the following critical items:

Roller Cages (both are identical) - unclip from jaw and look for signs of wear or flats on the roller surfaces. If flats are found replace **XX-ROLL+**. Ensure rollers cages are re-attached in correct orientation.

Jaw Bearing Surfaces - ensure that both are clean and smooth.

Jaw Grip Surfaces - clean off any rope debris. Check for excessive wear on the grip surface. If the black anodised surface has aluminium showing through, replace with a new **XXC-JAW** Assembly.

Jaw Linkplates - check these are attached to both sides of both jaws with pins and secured by both pins. Ensure free movement of link plates/pins in jaws.

Release Pin - located centrally in top jaw. Check for any signs of surface wear.

Clutch Body - flush clean inside, paying particular attention to the upper and lower roller surfaces, the two drainage runs in the base and their exits at the end mouldings.

Re-assembly

1. Insert new handle, pins and M6 CSK screw.

2. For Lock Open Versions ensure the lock open latch is in the down position.

3. Lift handle and rotate fully open and then back to 90° vertical.

4. Insert jaw assembly in body of XXC.

5. Angle rear moulding backward, to locate lower fixing hooks in body.

6. Rotate top of cover into place flush with XXC body.

7. Insert M5 Allen screw on the top surface that retains the rear moulding. Hand tighten only.

8. If Lock Open version, ensure latch is fully operational in both up and down positions as well as opening and closing the handle fully.

9. For standard versions, open and close the handle fully to ensure fully operational.

10. Open handle fully and thread rope through XXC body. For lock open use latch to hold the jaw open. See page 15 for rope insertion help.

Converting XX clutches lock open version

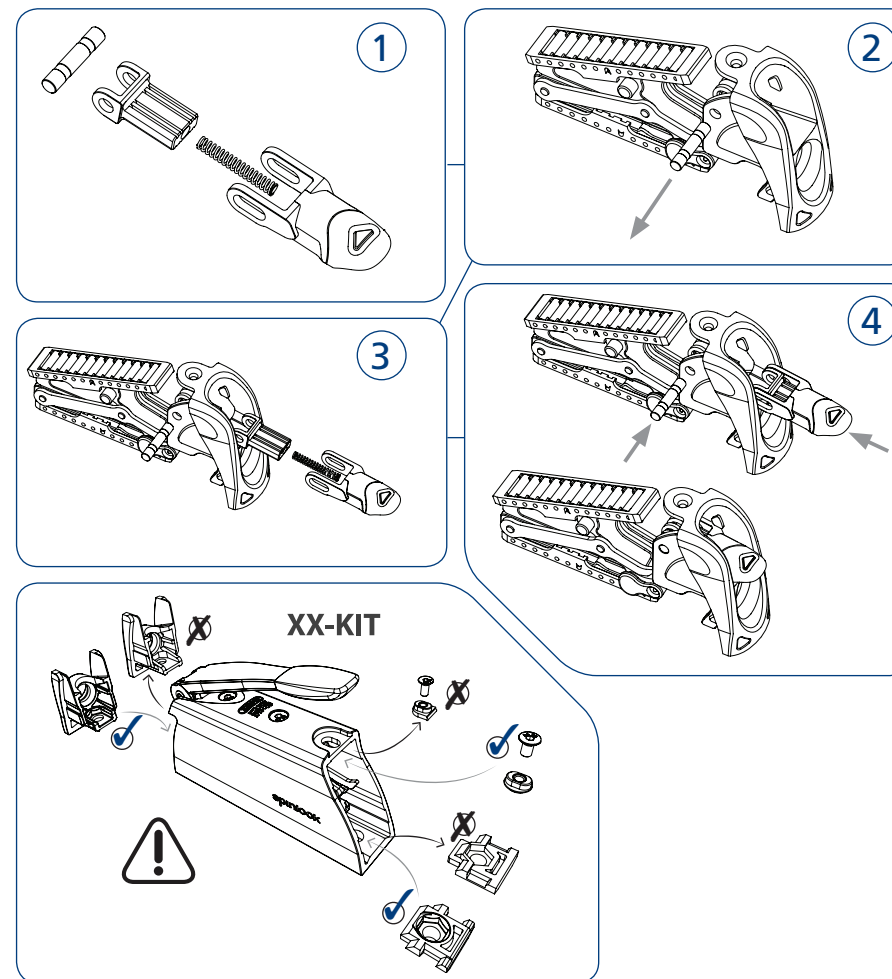
The XX0812, XXB0812 and XXC0812 can be converted to the XX0812/L, XXB0812/L and XXC0812 /L with the purchase of the XX-LCK.

Fitting procedure:

1. Check kit components before commencing (Diagram 1).
2. Lift handle and rotate fully open and then back to 90° vertical. Access to the M5 Allen screw on the top surface that retains the rear moulding. Remove this screw.
3. Hold rear cover at top and rotate and pull out from the top.
4. Pull the complete rear moulding and jaw assembly free from the body.
5. Remove Latch Pivot Pin (Diagram 2). (Note location of spring arms to help with No. 8).
6. Insert Latch Spring and Latch Lever Support into Latch Lever (diagram 2).
7. Assemble lock open version as per diagram 1.
8. Insert jaw spring ends into latch lever support, so that the spring coils align with holes in latch support.
9. Push Latch Lever and Lever Support together and locate with Rear Cover to allow all holes to align.
10. Push pin through holes in Rear Cover, Latch Lever, Latch Support and Spring Coils. An audible 'Click' will be heard (Diagram 4).
11. Insert jaw assembly into body.
12. Angle rear moulding backward, to locate lower fixing hooks in body.
13. Rotate top of cover into place, flush with body.
14. Insert M5 Allen screw on the top surface that retains the rear moulding. Hand tighten only.

15. Ensure lock open latch is fully operational in both up and down positions as well as opening and closing the handle fully.

16. Put latch into 'Up' position and thread rope through body.



XXA0812 and XXB0812 Side Mounting



XX0812/HS

XX0812/HP and XX0812/HS are supplied 'handed' ready for side mounting.

Remove the jaw set (page 25) and fasten to the deck using 5 x M6 A4-70 stainless steel fasteners (supplied). Insert jaw set and close rear block. (Page 25.)

Align rope with entry and exit mouldings for smooth running and minimum friction.

XXC0812 Side Mounting

XXC0812/HP and /HS are supplied Handed ready for side mounting with 5 x Titanium Fastners, Nuts Washers and Mounting Pad. See Diagram 1.

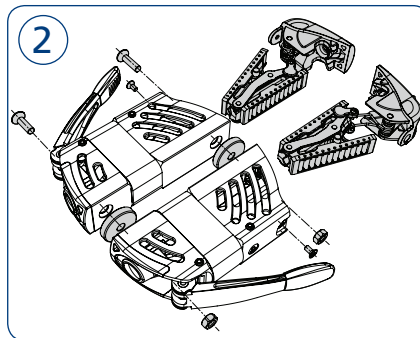
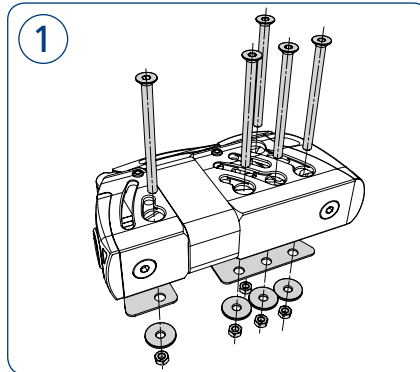
Remove the jaw set (Page 25) and fasten to the deck using 5 x M6 Titanium Fasteners (Supplied). Ensure 'pads' are in place so that XXC remain horizontal to the deck and avoid flexing the body. Apply 'Duralac' between the M6 fasteners and the XXC body. Insert jaw set and close rear block. (Page 25)

Align Rope Entry and Exit Moulding for smooth running and minimal friction.

XXC0812/HBP & HBS are designed for bonding directly onto decks, spars and booms.

Note: we are unable to provide engineering data on materials and instructions for bonding. It is essential you refer to your own engineering design data, load data and materials supplier for guidance.

If Side Mounting 2 XXC0812/HBP and S in a 'Butterfly' Back to Back (See Diagram 2) it is essential to use XX-SMNT to ensure future removal of XXC0812 Moulded Parts is possible.



ZS Alloy

- Custom colours to match hull, deck or spar.
- Handles printed with line application.
- Remote release system.

ZS Carbon

- Custom colours to match hull, deck or spar.
- Handles printed with line application.
- Available specifically for bonding.
- Remote release system.
- Jaw surfaces matched to specific rope types.



ZS Open

- Handle engraved with line application.
- Deck and rig mounting options available.

XX0812 and XXB0812

- Available in black, white and silver finishes.
- Handles engraved with line application.
- For weight saving on XX clutches contact the Special Projects team.

ZS Alloy, Carbon and Open Jammer Range

Part No.	Product	Description
ZS-JAW08	ZS0810	Jaw Assembly
ZS-JAW08HC	ZS1214 & ZS1014C	'Ceramic' Jaw Assembly
ZS-JAW12*	ZS1214 & ZS1014C	'P' Series Jaw Assembly
ZS-JAW12HC**	ZS1214 & ZS1014C	'Ceramic' Jaw Assembly
ZS-JAW16	ZS1618	'P' Series Jaw Assembly
ZS-JAW16HC	ZS1618C	'Ceramic' Jaw Assembly
ZS-JAW18	ZS1824C	Jaw Assembly
ZS-JAW18HC	ZS1824C	'Ceramic' Jaw Assembly
ZS-SPG08	ZS0810	Spring Set
ZS-SPG12	ZS1214, ZS1014C & B	Spring Set
ZS-SPG16	ZS1618, ZS1618C & B	Spring Set
ZS-SPG18C	ZS1824C	Spring Set
ZS-MNT0810	ZS0810	Alloy Mounting Plate
ZS-MNT1214	ZS1214	Alloy Mounting Plate
ZS-MNT1618	ZS1618	Alloy Mounting Plate
ZS-MNT1014C	ZS1014C	Alloy Mounting Plate
ZS-MNT1618C	ZS1618C	Alloy Mounting Plate
ZS-MNT1824C	ZS1824C	Alloy Mounting Plate
ZS-RLB	ZS1214, ZS1618 ZS1014C, ZS1618C ZS1014B, ZS1618B	ZS Remote Lock Back Switch
ZS-RLB/L	ZS1824C, ZS2632C	



* For polyester only
covered lines

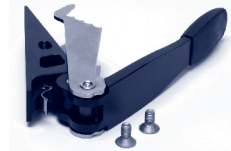
** For blended only
covered lines



For ZS Open spares contact : spt@spinlock.co.uk

XX0812 Clutch

Part No.	Description
XX-KIT	Jaw Set and Moulding Kit for XX0812 post 2005 to 2010 model (includes 'lock open' conversion parts)
XXB-KIT	Ceramic Jaw Set and Moulding Kit for XXB0812
XX-LCK	Upgrade for XX0812 to Lock Open version XX0812/L
XX-HDLB	Handle Assembly (<i>Black</i>)
XX-MLDG	Replacement moulding kit for XX0812, XXB0812 and XXC0812 post 2010
XX-ROLL	PEEK™ Standard Roller Set (<i>not illustrated</i>)
XX-ROLL+	Torlon Roller Set (<i>not illustrated</i>)
XXC - HDLA / HDLB / HDLS	Replacement Handle in Amber, Black or Silver (<i>not illustrated</i>)
XXC-KIT	Jaw Set and Moulding Kit for XXC0812
XXC-SMNT	Side Mount kit for XXC0812 (<i>not illustrated</i>)



RP25 is a surface coating that very effectively protects the critical parts of any line from abrasion damage.

Independent testing has shown that coating in RP25 impregnates the rope cover and core giving significant gains in a working life and grip, without reducing the flexibility of the rope.

RP25 treated line is particularly recommended for use with all Spinlock rope holding equipment for its effectiveness in optimising ultimate load holding performance.

Other areas where coating in RP25 has proved effective include; mast sheaves, footblocks, clutches, genoa cars, mast exits, lazy jacks, steering cable and furling lines. The RP25 is also ideal for coating a stripped line to reduce effects of UV degradation.

For further information on RP25 visit www.spinlock.co.uk or contact the Spinlock Special Projects Team : spt@spinlock.co.uk

The Spinlock Special Projects Team is dedicated to provide deck hardware advice and custom solutions to yacht designers, boat builders, spar manufacturers and high performance racing yacht projects.

The Special Projects Team can provide innovative custom solutions for :

- Mounting plates for clutches and jammers.
- Custom designed aft organisers, carbon or alloy.
- Custom surface finishes for jammers.
- Complete deck solutions for racing syndicates.
- Modifications to standard products for specific applications.
- Load and Rope testing for an optimum specification.
- High performance rope grip surfaces.

Email: spt@spinlock.co.uk

Spinlock Ltd
 41 Birmingham Road
 Cowes
 Isle of Wight
 PO31 7BH
 United Kingdom

Tel: 44(0)1983 295555
 Fax: 44(0)1983 295542

Customer support

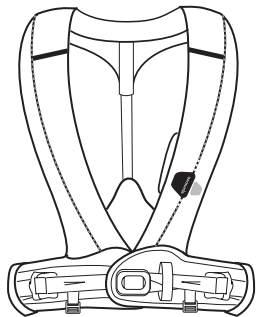
www.spinlock.co.uk

Online support for :

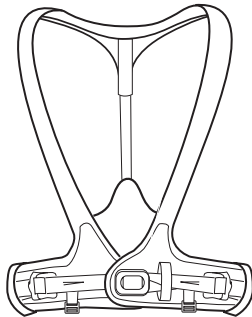
- Full colour brochure in 6 languages, including all product weights, dimensions and accessories.
- Rope holding guide.
- Maintenance and service guides.
- Product Instructions.
- Drill templates and CAD drawings.
- Nearest distributor or retailer.

Visit www.spinlock.co.uk for details of the Spinlock Deckware Series personal protection range.

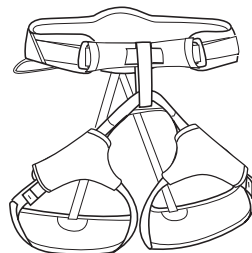
spinlock
deckware series



Deckvest Lifejacket harness



Deck Pro harness



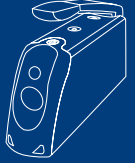
Mast Pro harness

spinlock

La solution idéale pour retenir de fortes charges sur des cordages high tech, en toute sécurité, solidement et sans les abîmer.

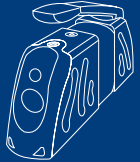
Bloquer XX

XX0812
XX0812/L
XX0812/S
XX0812/LS
XX0812/HS
XX0812/HP



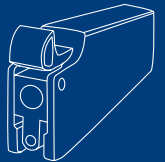
Bloquer XXC

XXC0812
XXC0812/HP
XXC0812/HS
XXC0812/HBP
XXC0812/HBS



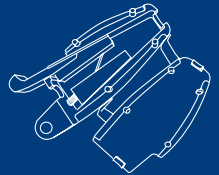
Coinceur ZS

Alloy	Carbon
ZS0810	ZS1014C
ZS1214	ZS1014B
ZS1618	ZS1618C
	ZS1618B
	ZS1824C
	ZS2632C



Coinceur Amirable ZS Open

ZS0810/OPEN
ZS1014/OPEN
ZS1418/OPEN
ZS1824/OPEN
ZS2632/OPEN



ZS Ropesense

ZS-LC/5
ZS-LC/10
ZS-LCW/5
ZS-LCW/10



Spinlock est le spécialiste du maintien de cordage pour les fortes charges. Ses produits sont conçus pour répondre aux évolutions technologiques en matière de cordages. Grâce à leur procédé de cale unique en son genre, ils sont capables de retenir des écoutes et des drisses en toute sécurité et sans les abîmer.

La gamme de produits pour fortes charges inclut les coinçeurs ZS aluminium, ZS carbone, ZS Open, le bloqueur XX et XXC, qui peuvent retenir des cordages de 8 à 32mm de diamètre et des charges de 1500 à 12000kg.

Les produits concernés dans cette brochure sont les suivants:

XX Clutch	XXC Clutch	ZS Alloy	ZS Carbon	ZS Open
XX0812	XXC0812	ZS0810	ZS1014C	ZS0810/OPEN
XX0812/L	XXC0812/HP	ZS1214	ZS1014B	ZS1014/OPEN
XX0812/S	XXC0812/HS	ZS1618	ZS1618C	ZS1418/OPEN
XX0812/LS	XXC0812/HBP		ZS1618B	ZS1824/OPEN
XX0812/HS	XXC0812/HBS		ZS1824C	ZS2632/OPEN
XX0812/HP			ZS2632C	

Les coinçeurs ZS1014B, ZS1618B et XXC0812/HBP/HBS sont fournis conçus pour collage direct sur les ponts, les gréements et les bômes.

Les modèles ZS1214, ZS1014C, ZS1618C, ZS1014B et ZS1618B sont fournis avec des mâchoires et des blocs arrière prévus pour être utilisés avec le commutateur de verrouillage arrière ZS-RLB à distance permettant la pré-tension des mâchoires pour largage et le déclenchement à distance du coinçeur.

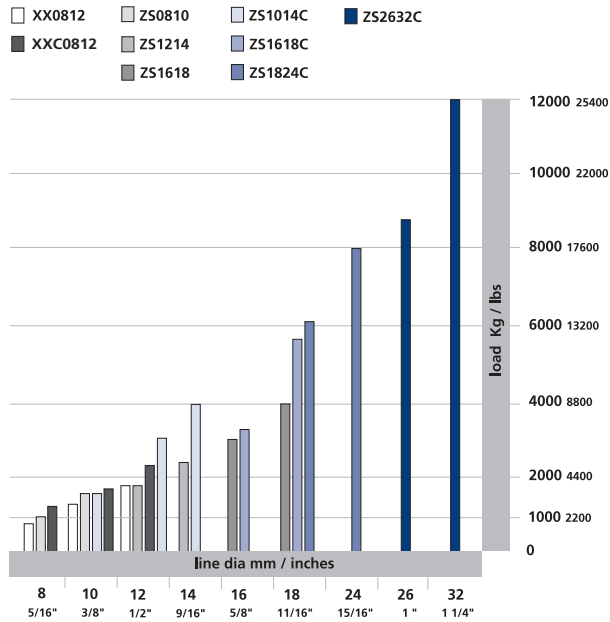
Les gammes ZS et XX de bloqueurs et de coinçeurs sont conçus de façon à ce que la plus grande partie des charges sur les cordages soient appliquées sur l'âme sans surcharger la gaine extérieure. La structure des bloqueurs et coinçeurs peut résister à plus du double de la charge maximale d'utilisation. Les données ci-dessous représentent la CMU (Charge Maximale d'Utilisation) que nous recommandons pour chaque produit, pour un diamètre donné et pour les bouts à gaine polyester.

Les charges réelles pouvant être assurées par nos produits peuvent varier considérablement en fonction de la qualité et du type de cordage utilisé. Lors du choix de ce cordage, veuillez à bien vérifier les critères suivants :

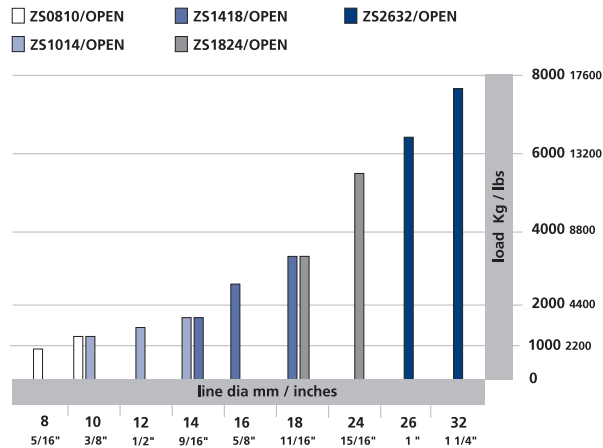
- La mesure exacte du diamètre sous charge.
- Le cordage doit inclure du polyester. Le vectran, HMPE (Dyneema, Spectra) ou PBO ne peuvent être correctement maintenus par les mâchoires standard que s'ils sont mélangés à du polyester.
- La gaine doit être bien serrée sur l'âme.
- Les zones surgainées doivent être tendues correctement et les épissures de forme régulière.
- La charge maximale du cordage et le coefficient de sécurité recommandé par le fabricant du cordage.

Les récents développements en matière de fabrication des cordages se sont principalement concentrés sur l'utilisation de protections en fibres mélangées (fibres de haute technicité comme l'Aramid, le Technora, le Dyneema ou le Vectran tressées avec du polyester). Bien que très robustes, avec en particulier une excellente résistance à la chaleur, ces protections peuvent être plus difficiles à tenir en main que les sorties de mâts ou les jammers si on les compare aux lignes protégées par du simple polyester. **See Page 84 or contact the Special Projects Team for advice on new digital custom jaw surfaces to suit specific blended covers, including high line speed protection.**

Jammer & Clutch
Max Safe Working Loads



Open Jammer
Safe Working Loads



	Model	Line Dia	Maximum SWL	Weight without fasteners	Weight with fasteners	Standard Fasteners (supplied)	Fasteners (side mounting)
Alloy	XX0812	8-12mm (5/16-1/2")	1800kg (3970lbs)	1.05kg (2.3lbs)	1.12kg	2 x M8	Not supplied see page 30
	XX0812 /HP & /HS	8-12mm (5/16-1/2")	1800kg (3970lbs)	1.05kg (2.3lbs)	1.12kg	5 x M6	5 x M6
	ZS0810	8-10mm (5/16-3/8")	1500kg (3310lbs)	0.7kg (1.55lbs)	0.77kg	3 x M8	6 x M6
	ZS1214	12-14mm (7/16-9/16")	2200kg (4850lbs)	1.05kg (2.3lbs)	1.19kg	4 x M8	6 x M6 use A4-70
	XXC0812	8-12mm (5/16-1/2")	2300kg (5070lbs)	0.84kg (1.85lbs)	0.86kg	2 x M8 Titanium 95	-
	XXC0812 /HP & /HS	8-12mm (5/16-1/2")	2300kg (5070lbs)	0.85kg (1.87lbs)	0.87kg	-	5 x M6 Titanium 95
	XXC0812 /HBP & /HBS	8-12mm (5/16-1/2")	2300kg (5070lbs)	0.85kg (1.87lbs)	-	-	Bond
	ZS1618	16-18mm (5/8-11/16")	4000kg (8820lbs)	2.0kg (4.4lbs)	2.36kg	4 x M10	6 x M8 use A4-70
Carbon	ZS1014C	10-14mm (3/8-9/16")	4000kg (8820lbs)	0.65kg (1.45lbs)	0.89kg	4 x M10	Use ZS1014B
	ZS1014B Bonded	10-14mm (3/8-9/16")	4000kg (8820lbs)	0.63kg	-	-	-
	ZS1618C	16-18mm (5/8-11/16")	6000kg (13230lbs)	1.15kg (2.5lbs)	1.51kg	6 x M10	Use ZS1618B
	ZS1618B Bonded	16-18mm (5/8-11/16")	6000kg (13230lbs)	0.91kg	-	-	-
	ZS1824C	18-24mm (11/16-15/16")	8000kg (17640lbs)	1.75kg (3.85lbs)	2.36kg	10 x M10	Bond
	ZS2632C	26-32mm (1-1 1/4")	12000kg (26460lbs)	5.1kg (11.24lbs)	5.95kg	14 x M10	-
Open/Mobile	ZS0810/ OPEN	8-10mm (5/16-3/8")	1200kg (2650lbs)	0.9kg (1.98lbs)	-	-	-
	ZS1014/ OPEN	10-14mm (3/8-9/16")	1800kg (3970lbs)	1.2kg (2.65lbs)	-	-	-
	ZS1418/ OPEN	14-18mm (9/16-11/16")	3200kg (7040lbs)	1.9kg (4.19lbs)	-	-	-
	ZS1824/ OPEN	18-24mm (11/16-15/16")	5200kg (11440lbs)	4kg (8.8lbs)	-	-	-
	ZS2632/ OPEN	26-32mm (1-1 1/4")	7800kg (17160lbs)	6.1kg (13.45lbs)	-	-	-

Coinceurs ZS Aluminium et coinceurs ZS Carbone

Ces coinceurs sont relativement simples d'utilisation, mais en raison des fortes charges impliquées, il est indispensable de bien comprendre leur fonctionnement avant de les utiliser en pleine mer.

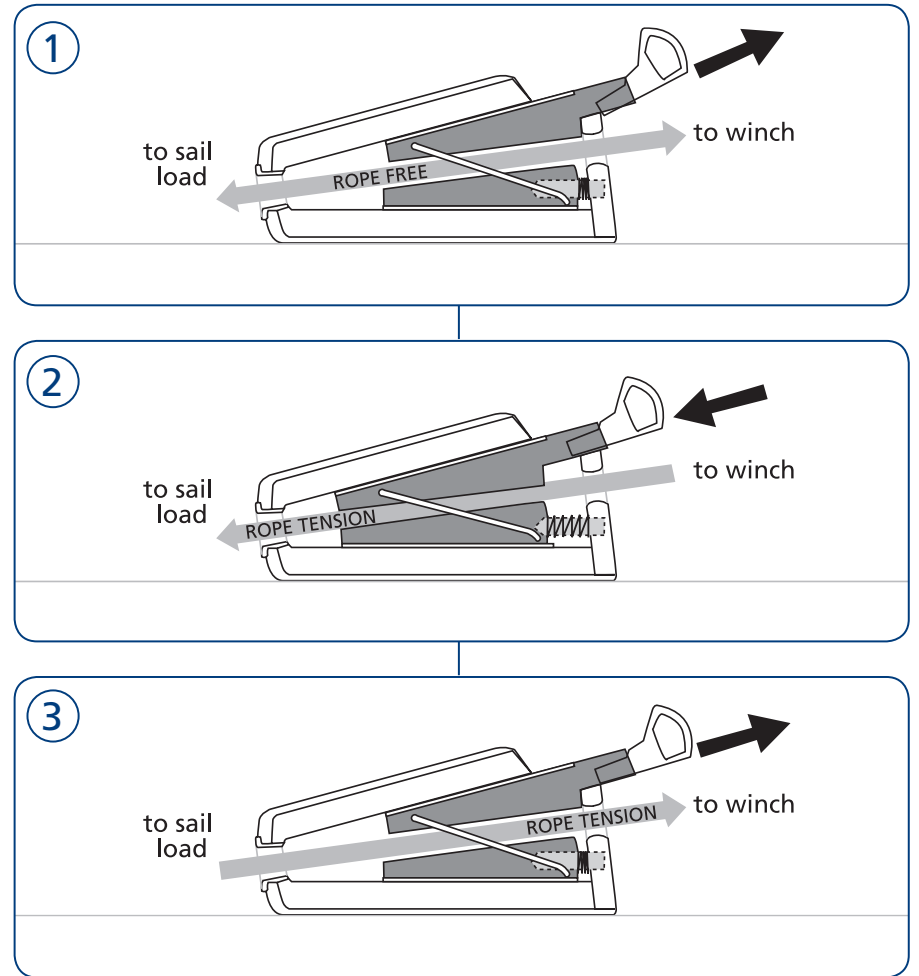
1. Ouverture : tirez en arrière sur la poignée jusqu'à enclencher la sécurité. Le verrou doit être complètement engagé pour maintenir les mâchoires ouvertes.

Le bout peut maintenant être inséré dans le coinqueur et glisser librement dans les deux directions. Pour les gros diamètres de cordage, il est parfois plus simple de passer le bout dans le coinqueur en démontant la mâchoire. (voir la partie entretien).

2. Bloquage : hissez la voile et mettez le bout sous tension en utilisant le winch. Avant de libérer le winch, relâchez la sécurité de la poignée et poussez les mâchoires vers l'avant pour les mettre en contact avec le cordage. Maintenez la pression sur la poignée pendant que vous libérez la charge de travail du winch. Une fois les mâchoires bien engagées sur le bout, elles glisseront de quelques millimètres vers l'avant jusqu'à ce que la charge soit bien sécurisée.

3. Ré-ouverture : toute la charge de travail sur le bout doit repasser sur le winch avant que le coinqueur soit ouvert. N'essayez jamais d'ouvrir le coinqueur sans avoir d'abord transféré sa charge sur le winch. Vous ne devez tirer sur la poignée et enclencher la sécurité qu'une fois la charge de travail bien reportée sur le winch. Les mâchoires sont maintenant verrouillées en position ouverte et le bout peut être contrôlé sur le winch en circulant librement à travers le coinqueur.

Note : pour des raisons de sécurité, les coinceurs ZS ne sont ré-ouvrables qu'une fois la charge du cordage transférée sur le winch.



Coinceur ZS Open

Le coinceur ZS OPEN peut contrôler des bouts déjà sous tension. Une solution idéale pour changer spinnakers et voile avant, pour prendre des ris ou pour gérer toute situation d'urgence.

1. Attachez l'estrope à un padeye sur le pont ou à la base d'un winch suffisamment solide et le plus près possible de la ligne de charges.
2. Ouvrez le boîtier et engagez le coinceur ZS Open autour du bout sous tension. Refermez en vérifiant que la sécurité soit bien enclenchée.
3. Faites glisser le coinceur le long du bout jusqu'à ce que l'estrope soit tendue et engager la mâchoire en relâchant la sécurité de la mâchoire.
4. Relâchez avec précaution le bout initialement sous tension de façon à ce que la charge de travail soit reportée sur l'estrope et le coinceur ZS OPEN.

Ouverture du Coinceur ZS Open

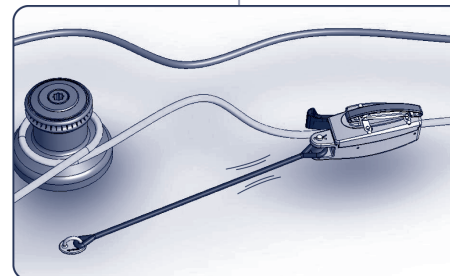
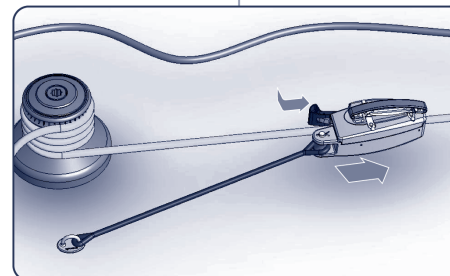
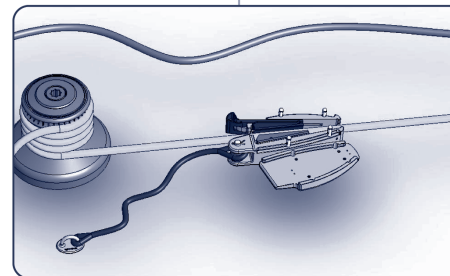
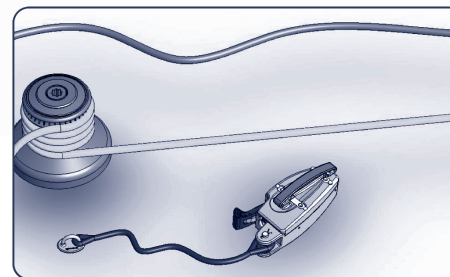
Les mâchoires du Coinceur ZS Open s'ouvrent en retenant la poignée en arrière et en glissant le coinceur en avant, et non en tirant la poignée en arrière. Vérifiez à avoir assez de libre dans l'estrope pour ouvrir les mâchoires.

Remarques Importantes

Avant de transférer une charge, vérifiez que :

- Les deux parties du coinceur sont correctement imbriquées
- Les loquets sont fermés

Cela assure que les charges sont partagées entre les 2 parties du coinceur. Tout manque à cette procédure va déformer le coinceur de façon permanente et rendre impossible une imbrication. Dans le cas d'une surcharge, le repère PTFE va montrer des signes de déformation au contact de l'extérieur du coinceur.



Commutateur de verrouillage arrière ZS-RLB à distance

Pour utilisation avec les coinces ZS ou les dispositifs existants de verrouillage des drisses. Permet la pré-tension des mâchoires du ZS pour largage.

Les coinces ZS1214, ZS1618, ZS1014C, ZS1618C, ZS1014B et ZS1618B sont équipés de blocs arrière à mâchoires anodisés dotés d'orifices pour la fixation des lignes de rappel et des bouts. Les anciens modèles de coinces ZS de cette gamme peuvent être modifiés pour utiliser le ZS-RLB.

Étape 1

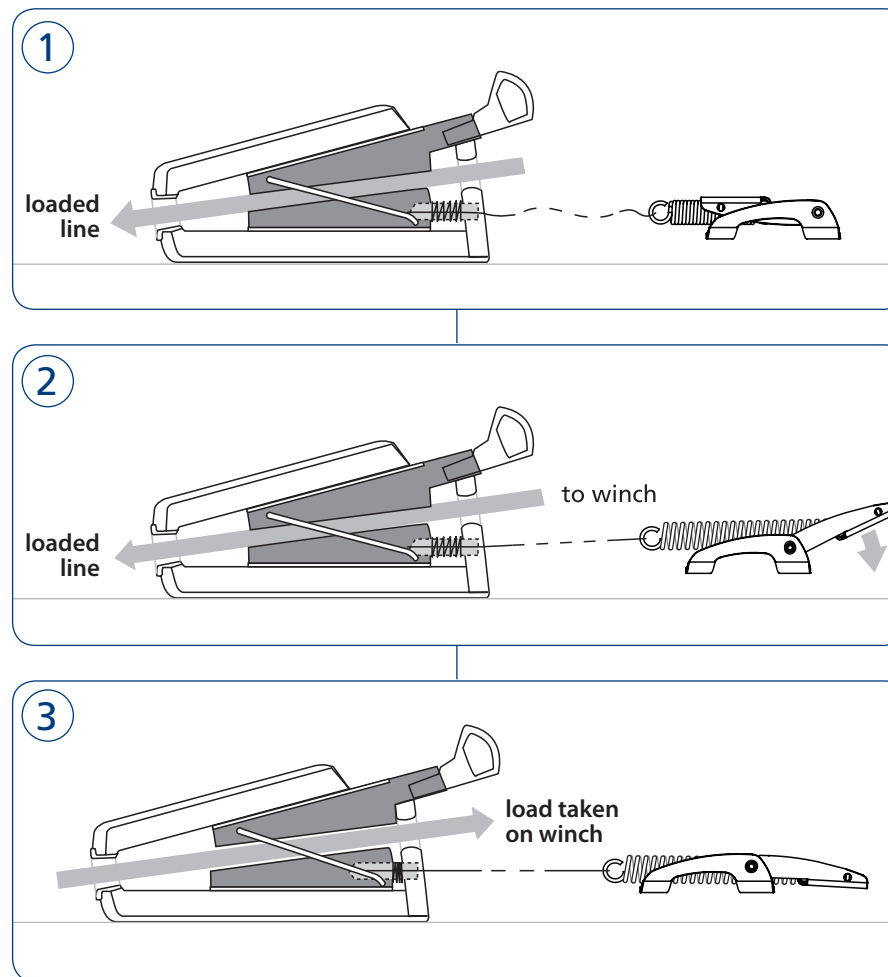
Position de départ - le ZS-RLB est fermé, la ligne de rappel détendue et le coinces ZS chargé.

Étape 2

Ouvrez le ZS-RLB pour pré-tensionner la ligne de rappel – le coinces ZS est maintenant prêt pour le largage.

Étape 3

Transférez la charge sur le treuil - le ZS-RLB ouvre automatiquement le coinces et relâche le cordage.



Le XX maintient des charges 50 % plus importantes que les bloqueurs classiques, il permet un largage contrôlé et sans à-coup. Optimisé pour les diamètres haute performance 8-12 mm, le XX vient combler le vide entre les bloqueurs et les coinces ZS haute capacité pour la rétention des charges critiques.

En plus du bloqueur standard, une version à verrou ouvert, le XX0812/L, est également disponible ; elle permet à la ligne de courir librement dans les deux sens avec la poignée fermée, notamment pour les applications de spinnakers ou de grand-voiles où le verrouillage n'est requis qu'occasionnellement.

Le XX0812/L possède également un dispositif automatique de largage des mâchoires lorsque la charge est transférée sur un winch. Il est possible de mettre à niveau un XX standard vers une version Lock Open à l'aide du kit XXMLDG ou XX-LCK.

Insertion du cordage dans le XX0812 : Avec un long tournevis, passez la tige du tournevis à travers le bullseye avant et placez l'extrémité sur la face avant de la mâchoire inférieure. Poussez en arrière jusqu'à ce que la mâchoire s'arrête. Avec les mâchoires dans cette position, soulevez et ouvrez entièrement la poignée. Cela aura pour effet de verrouiller la mâchoire sur son plus grand écartement et ainsi faciliter le passage du nouveau cordage.

Cette opération n'est pas nécessaire sur la version Lock Open du XX. Une fois votre nouveau cordage enfilé, vous pouvez fermer la poignée.

Le XX bloquera automatiquement la corde lorsque vous refermerez la poignée.

Largage : Par mesure de sécurité, une action de largage n'est possible que si la poignée est pivotée à plus de 60 degrés.

Pour protéger l'utilisateur et la fibre du cordage, une pression normale de la main ne pourra pas larguer le cordage au-delà de cette charge.

Important : Commencez toujours le largage avec la poignée en position fermée pour une plus grande efficacité. Si celle-ci se trouve, à un moment quelconque, partiellement ouverte, nous vous conseillons de **l'ouvrir en grand, puis de la refermer (cycle)** tout en gardant le bout autour du winch, pour vous assurer que le mécanisme est réinitialisé pour la prochaine fois. Tout manquement à cette recommandation pourra affecter les performances de rétention et user la surface des mâchoires.

Gainage : Le surgainage (interne ou externe) du cordage augmente considérablement les performances d'un bloqueur ou d'un coinces. La gaine externe devra être parfaitement adaptée au cordage. Si vous souhaitez surgainer votre cordage, assurez-vous que

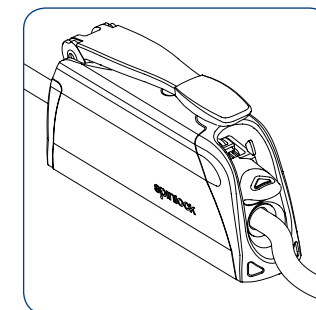
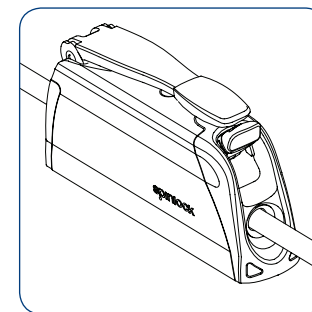
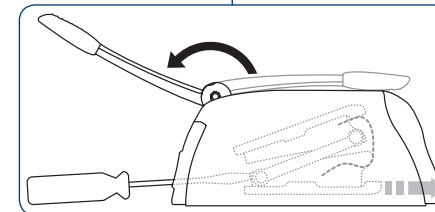
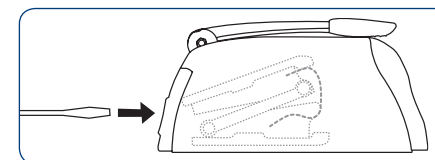
le diamètre de l'ensemble ne dépasse pas 12 mm et qu'il est effilé pour passer facilement dans le bloqueur. Les inserts d'âmes permettent d'obtenir les transitions les plus souples pour les applications exigeant le passage rapide des bouts.

Insérer le cordage dans le XXC0812 et XX0812

Note de sécurité : En cas de condition assez musclée, le cordage peut être endommagé s'il est largué directement alors qu'il supporte de fortes charges. Pour éviter cela, il est conseillé de passer le cordage autour d'un winch avant de le larguer.

Fonctionnement du bloqueur XXC0812 & XX0812/L version Lock Open

1. Lorsque le verrou est en position HAUTE, le bout passe librement dans le XX.
2. Lorsque le loquet est ramené vers le BAS et la poignée fermée, le bout est bloqué en position.
3. Pour larguer le cordage, vous pouvez ouvrir la poignée, OU
4. Si la poignée est en position fermée, ramenez le verrou en position HAUTE. Lorsque la charge est transmise en toute sécurité sur un winch, les mâchoires s'ouvrent automatiquement, laissant ainsi le bout circuler librement, alors que la poignée est toujours en position fermée. La mâchoire reste ouverte jusqu'à ce que le verrou soit ramené en position basse, même si la poignée fait un tour complet.



Si vous devez installer les coincesurs sur le pont de votre bateau, positionnez les à l'avant du winch, suffisamment proche pour faciliter l'utilisation mais aussi avec assez d'espace autour pour démonter la mâchoire lors de l'entretien. Les coincesurs sont fournis avec des goujons (A4 - 70 en inox) implantés en quinconce. Cela permet de répartir la charge de travail dans la structure composite des ponts ou des mâts.

Pour faciliter l'opération, utilisez deux écrous superposés. Des gabarits de perçage sont fournis avec le produit. Pour un montage sur mât, référez-vous au gabarit en question sur le CD ou contactez notre bureau d'études spécialisé SPT (Special Projects Team) en vous reportant à la liste des contacts de cette brochure (page 76).

Fixation latérale : remplacez les six fixations par des boulons plus longs. Ceux-ci peuvent être insérés d'un côté ou de l'autre en enlevant les écrous sur le côté. Si la charge maximale d'utilisation doit être atteinte, utiliser des boulons en inox plus solides (au moins A470). Référez-vous au tableau (page 45).

Avant de percer, bien vérifier **le positionnement des trous car il n'est pas symétrique.**

Fixation sur mât : Des plaques de fixation sur mât sont disponibles, voir détails en page 72. Des gabarits CAO sont disponibles au téléchargement depuis www.spinlock.co.uk/cadlibrary

Les coincesurs ne sont pas conçus pour supporter de fortes charges latérales. Si l'angle d'utilisation vers le winch est supérieur à 10 degrés, installez une poulie ou une boîte à réas pour mieux orienter le cordage entre le coincesur et le winch. Pour plus de détails sur nos boîtes à réas TS, contacter le Special Project Team.

Si vous devez installer les coincesurs sur le pont de votre bateau, positionnez les à l'avant du winch, suffisamment proche pour faciliter son utilisation mais aussi avec assez d'espace autour pour démonter la mâchoire lors de l'entretien. Les coincesurs sont fournis avec des goujons (A4 - 70 en inox) implantés en quinconce conçus pour répartir la charge de travail dans la structure composite des ponts ou des mâts.

Attention : Les vis sans tête doivent être vissées à 15mm maximum à l'intérieur. Si vous dépassez cette limite, vous risquez d'endommager l'intérieur.

Pour faciliter l'opération, utilisez deux écrous superposés. Des gabarits de perçage sont fournis avec le produit.

Fixation latérale : Les coincesurs carbon ZS1014B et ZS1618B sont spécialement conçus pour collage aux gréements ou aux ponts.

Fixation sur mât : Des plaques de fixation sur mât pour les coincesurs ZS sont disponibles, voir page 72 pour tous renseignements complémentaires. Des gabarits CAO sont disponibles au téléchargement depuis

www.spinlock.co.uk/cadlibrary

Fixation par collage : Les coincesurs ZS1014B et ZS1618B sont fournis conçus pour collage direct sur les ponts, les gréements et les bômes. Remarque : nous ne sommes pas en mesure de fournir des données techniques sur les matériaux et les instructions nécessaires pour le collage. Les installateurs devront pour cela se référer à leurs propres données d'ingénierie, aux informations sur les charges et aux instructions communiquées par les fournisseurs des matériaux.

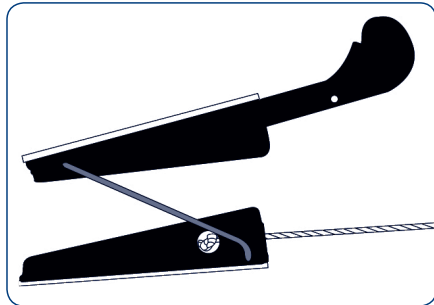
Les coincesurs ne sont pas conçus pour supporter de fortes charges latérales. Si l'angle d'utilisation vers le winch est supérieur à 10 degrés, installez une poulie ou une boîte à réas. Pour plus de détails sur nos boîtes à réas TS, contacter le Special Project Team.

Attention: le nettoyage de post-installation est essentielle pour éviter d'endommager le jeu de mâchoires, le glissement et endommager le câble possible à la première utilisation. Le lubrifiant est fourni. Suivez les instructions d'entretien à la page 70.

Commutateur de verrouillage arrière ZS-RLB à distance

Pour utilisation avec les coinçeurs ZS1214, ZS1618, ZS1014C, ZS1618C, ZS1014B et ZS1618B ou les dispositifs existants de serrage des drisses. Permet la pré-tension des mâchoires du ZS pour largage.

1. Installez le ZS-RLB dans l'emplacement choisi en utilisant des fixations M5.
2. Choisissez une ligne de contrôle appropriée de 2-4mm, qui peut être épissée. Les lignes Marlow D12 3mm ont fait leurs preuves.
2. Attachez la ligne de contrôle à la mâchoire en utilisant un nœud de pouce ou similaire.
3. Faites passer la ligne de contrôle par le ressort et l'ensemble bloc arrière/ressort et fixez le bloc arrière en place.
4. Après avoir coupé la ligne de contrôle à la bonne longueur (approximativement), épissez cette dernière à l'œilleton de l'ensemble bloc/ressort en utilisant une épissure réglable.



5. Veillez à ce que la ligne de contrôle coure sans entrave jusqu'au coinçeur. Si nécessaire, utilisez des œillets ou des blocs pour que la ligne coure librement.
6. Après avoir réglé les mâchoires sur le diamètre de ligne correcte, ajuster l'épaisseur de la ligne de contrôle de sorte que cette dernière soit tendue.
7. Vérifiez le bon fonctionnement, comme décrit. Il pourra être nécessaire d'effectuer un réglage avant de faire une épissure permanente.
8. En cas de changement de diamètre du cordage, il sera également nécessaire de régler l'épaisseur.



1. Alignez le bloqueur sur le guide de cordage requis, en vérifiant la hauteur et en minimisant l'angle d'alignement.
2. Avec le gabarit, percez deux trous pour accueillir les fixations M8 (ne percez jamais le bloqueur). Pour les espars par exemple, lorsqu'aucun accès n'est possible, utilisez un taraud M8 pour fileter le matériau de surface, en veillant à ce que le matériau soit suffisamment résistant pour supporter la charge totale encaissée par le coin ; les fixations doivent être remplacées par des vis à tête cylindrique en acier inoxydable M8 A4-80 ou des vis d'assemblage CSK pour le coin **XX0812**, ou des vis à tête cylindrique en titane M8 ou des vis d'assemblage CSK pour le coin **XXC0812**.
3. Vérifiez chaque fixation (déjà pré-assemblée dans le coin) pour être certain que sa tête hexagonale est bien insérée dans sa moulure.
4. Fixez solidement le coin après avoir enduit les pas de vis de mastic en silicone. Si les coins sont installés sur le pont, vous pouvez rectifier l'excès de longueur des vis.

Pour accéder aux fixations : Le XX0812 est fourni avec 2 fixations A4-80 haute résistance à tête hexagonale en acier inoxydable et le XXC0812 est fourni avec 2 fixations à tête hexagonale en titane M8, il est donc peu probable que vous deviez y accéder.

Si vous souhaitez installer vos propres fixations, vous devrez simplement enlever la partie arrière moulée pour accéder à l'emplacement de fixation arrière.

La fixation avant est accessible par le dessus (se reporter au schéma 1). Le moyen le plus simple de démonter la fixation est d'enlever l'écrou et la rondelle, puis de tourner le produit à l'envers. La vis M8 devrait s'enlever.

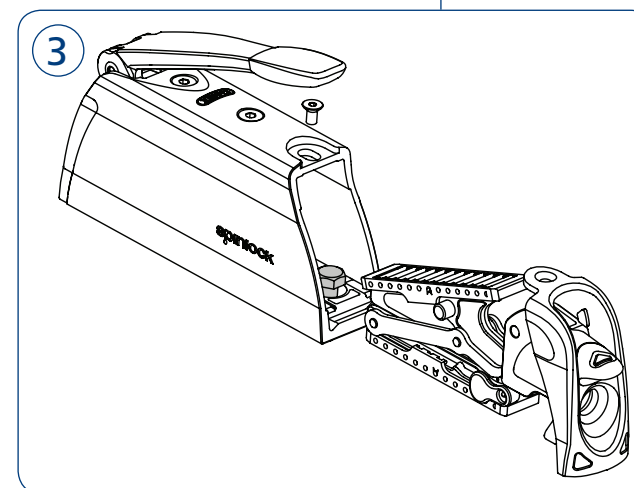
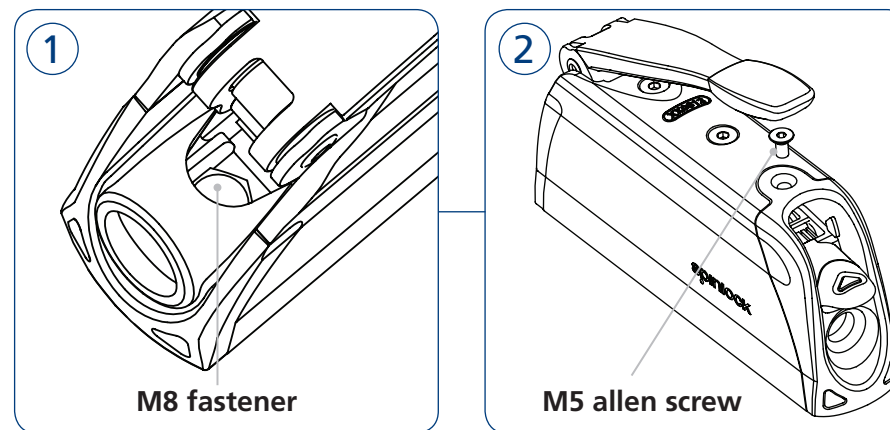
Pour les versions Lock Open, assurez-vous que le verrou est en position basse.

Soulevez la poignée de 50 mm pour accéder à la vis Allen M5 qui retient la partie arrière moulée par le dessus. Enlevez cette vis. (Se reporter au schéma 2).

Maintenez le cache arrière sur le dessus et faites pivoter tout en tirant vers le haut (Se reporter au schéma 3).

Tirez sur l'ensemble de la partie arrière moulée et des mâchoires pour les dégager du boîtier (Se reporter au schéma 3).

La fixation doit maintenant être visible. Laissez la partie de soutien principale en place. (Se reporter au schéma 3).



Les coinceurs ZS de Spinlock sont fabriqués à partir des matériaux de la plus haute qualité pour offrir une durée de vie plus longue avec un minimum d'entretien dans un environnement marin parfois très rude.

Les modèles en Aluminium sont soigneusement conçus pour pouvoir être entretenus facilement en mer. Leur performance sera améliorée s'ils sont régulièrement rincés à l'eau douce.

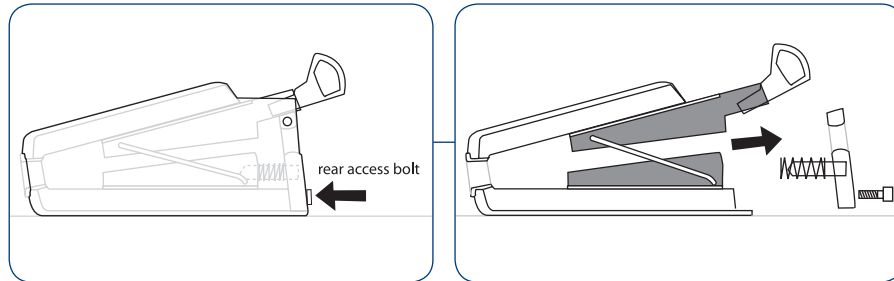
Les mâchoires peuvent être démontées facilement pour être vérifiées ou remplacées.

Coinceurs ZS Alloy et ZS OPEN - entretien

- Retirez la vis fixant le bloc arrière.
- Retirez le bloc arrière.
- Soulevez la poignée et les mâchoires.

Pour le coinqueur ZS OPEN, ouvrez le boîtier pour démonter le système de mâchoires. Pressez sur les mâchoires l'une contre l'autre pour les extraire sur le côté.

ZS Alloy, ZS Carbon et ZS Bonded



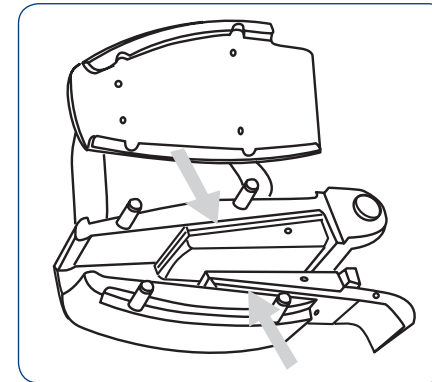
- Vérifiez toute usure excessive sur la surface des mâchoires en contact avec le cordage. Si elle est usée, la surface noire anodisée laissera apparaître des traces d'aluminium couleur argentée.
- Vérifiez la forme des ressorts reliés aux mâchoires. Les mâchoires doivent être alignées verticalement. Si le ressort est détendu ou les mâchoires sont usées, il faut penser à les remplacer.
- Vérifiez l'état des plaques blanches au dessus des mâchoires. Elles doivent être propres et lisses en surface. Les remplacer si nécessaire.
- Assurez-vous que toutes les parois internes soient propres et lisses.

Les plaques de roulements doivent être lubrifiées uniquement avec de la graisse silicone.

Ne jamais utiliser d'huile minérale ou de lubrifiant à base de solvants comme le WD40.

Pour plus d'informations et de conseils sur l'entretien des coinceurs ZS, merci de vous référer au site Internet Spinlock ou de contacter le Service Pro Support.

ZS OPEN



Conseils d'entretien :

Trois étapes simples – rincer, drainer et lubrifier

1. Le mécanisme interne doit être régulièrement rincé à l'eau douce jusqu'aux bullseyes et au niveau de la zone de rotation de la poignée.
2. Vérifiez qu'il n'y a plus aucun débris dans les orifices d'évacuation inférieurs des caches d'extrémité. Cela permet d'éviter l'accumulation des résidus de cordage à l'intérieur du bloqueur.
3. Lubrifiez les zones de rotation de la poignée avec de la graisse de silicone. Si cette procédure simple n'est pas effectuée régulièrement, les performances spécifiées du dispositif ne seront pas atteintes. Faites attention de ne pas contaminer la surface des rouleaux ou des mâchoires avec du lubrifiant.

Remarque : Toute dégradation des performances est généralement due à un manque d'entretien et de maintenance. Le XX0812 dépend du bon fonctionnement de 2 jeux de roulements pour ses performances optimales. Les rouleaux et leurs surfaces 'opérationnelles' doivent rester aussi propres que possible.

Retrait du XX du pont

Si vous devez retirer le XX0812 du pont, faites attention de ne pas endommager le mécanisme interne et le cache arrière en plastique avec les fixations. **Ne pas utiliser de marteau pour le frapper depuis le dessous.**

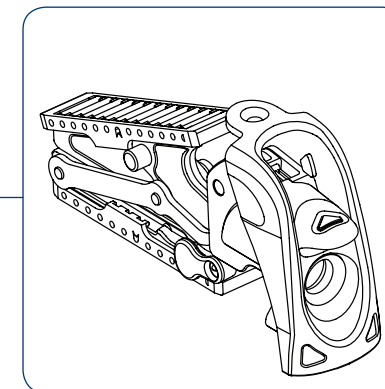
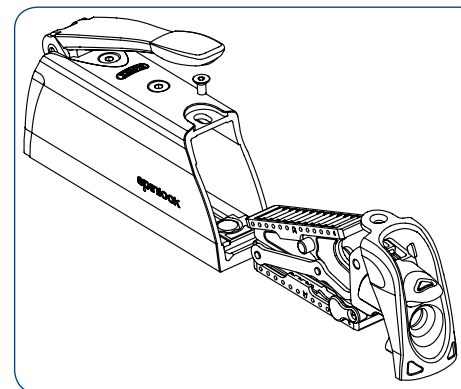
Regardez le vidéo d'entretien du XX sur www.spinlock.co.uk

Entretien approfondi et Remplacement des mâchoires :

Pour maintenir le niveau de performance optimale de votre bloqueur, il est conseillé de procéder régulièrement à un entretien approfondi. En procédant comme suit, le mécanisme de blocage est entièrement accessible lorsque le bloqueur est fixé sur le pont – même s'il est intégré à un ensemble de coinces.

Pour la mise à niveau des mâchoires d'un XX0812 antérieur à 2010, le **KIT-XX** sera requis. Rendez-vous sur le site www.spinlock.co.uk pour avoir des informations complètes sur la mise à niveau, avec une vidéo pour le Modèle antérieur à 2010.

1. Retirez le cordage du coinces.
2. Pour les versions Lock Open, assurez-vous que le verrou est en position basse.
3. Soulevez la poignée de 50 mm pour accéder à la vis Allen M5 qui retient la pièce arrière par le dessus. Enlevez cette vis.
4. Maintenez le cache arrière sur le dessus et faites pivoter tout en tirant vers le haut.
5. Tirez sur l'ensemble de la partie arrière moulée et des mâchoires pour les dégager du boîtier.



6. Une fois tous les composants retirés, nettoyez-les à l'eau douce et inspectez les éléments critiques suivants :

Les cages des roulements (les deux sont identiques) – Déclipez-les de la mâchoire et contrôlez les signes d'usure à la surface des rouleaux. En présence de signes d'usure ou d'aplanissement, envisagez une mise à niveau **XX-Roll+**. Vérifiez que les cages sont remises dans le bon sens.

La surface intérieure des mâchoires – assurez-vous qu'elles sont toutes les deux propres et lisses.

La surface extérieure des mâchoires – nettoyez-les pour supprimer tous les débris de cordage. Vérifiez les traces d'usure excessive sur les surfaces de contact avec les bouts. Si l'on peut apercevoir des traces d'aluminium à travers la surface anodisée noire, remplacez le tout par un nouveau bloc de **mâchoires XX**.

Le ressort de la mâchoire – il doit pouvoir maintenir les mâchoires séparées, avoir une forme régulière et être situé de chaque côté de la mâchoire supérieure.

Les barres de liaison des mâchoires – vérifiez que ces dernières sont bien fixées avec des broches de chaque côté des deux mâchoires et sécurisées par les deux broches. Veillez à ce que les barres de liaison/broches se déplacent librement dans les mâchoires.

L'axe de largeur – il se situe au centre dans la mâchoire supérieure. Examinez la surface pour contrôler les signes d'usure.

Le boîtier du bloqueur – rincez l'intérieur avec de l'eau, en faisant particulièrement attention aux surfaces des roulements supérieurs et inférieurs, aux rainures pour l'écoulement de l'eau dans la base et aux orifices d'évacuation situés dans les caches d'extrémité.

La poignée – n'enlevez pas la poignée du boîtier. Vérifiez qu'elle reste en position ouverte et fermée (positions maintenus par le ressort à lames monté à l'avant du coin). Lubrifiez les axes de rotation avec de la graisse de silicone.

Remontage

1. Pour les versions Lock Open, assurez-vous que le loquet de verrouillage est en position basse.
2. Soulevez la poignée de 50 mm.
3. Insérez le bloc de mâchoires dans le boîtier du XX.
4. Inclinez le cache arrière vers arrière pour positionner les crochets de fixation inférieurs dans le boîtier.
5. Remettez le couvercle en place en le faisant pivoter pour qu'il soit de niveau avec le boîtier du XX.
6. Insérez une vis Allen M5 sur la surface supérieure qui maintient le cache arrière. Serrez à la main uniquement.
7. Sur les versions Lock Open, vérifiez le bon fonctionnement du verrou dans les positions haute et basse et en ouvrant et en fermant la poignée complètement.
8. Pour les versions standard, ouvrez et fermez la poignée complètement pour vous assurer que cette dernière est entièrement opérationnelle.
9. Ouvrez complètement la poignée et insérez le cordage à travers le boîtier du XX. Se reporter en page 63 pour obtenir des conseils sur la manière d'insérer le cordage.

Remplacement du mécanisme d'assemblage de la poignée XX-HDLB

1. Enlevez le cordage du bloqueur.
2. Pour les versions Lock Open, assurez-vous que le loquet de verrouillage est en position basse.
3. Soulevez la poignée de 50 mm pour accéder à la vis Allen M5 qui retient la pièce arrière par le dessus. Enlevez cette vis.
4. Maintenez le cache arrière sur le dessus et faites pivoter tout en tirant vers le haut.
5. Ouvrez complètement la poignée pour enlever les deux vis CSK M6 qui se trouvent sur le dessus du bloqueur.
6. Tirez sur l'ensemble du cache arrière et des mâchoires pour les dégager du boîtier.
7. Faites glisser le mécanisme de la poignée par l'arrière du boîtier.
8. Nettoyez soigneusement à l'eau douce et inspectez les éléments critiques suivants :

Les cages des roulements (les deux sont identiques) – Déclipez-les de la mâchoire et contrôlez les signes d'usure à la surface des rouleaux. En présence de signes d'usure ou d'aplanissement, envisagez une mise à niveau **XX-Roll+**. Vérifiez que les cages sont remises dans le bon sens.

La surface intérieure des mâchoires – assurez-vous qu'elles sont toutes les deux propres et lisses.

La surface extérieure des mâchoires – nettoyez-les pour supprimer tous les débris de cordage. Vérifiez les traces d'usure excessive sur les surfaces en contact avec les bouts. Si l'on peut apercevoir des traces d'aluminium à travers la surface anodisée noire, remplacez le tout par un nouveau bloc de mâchoires XX.

Les barres de liaison des mâchoires – vérifiez que ces dernières sont fixées de chaque côté des deux mâchoires avec les broches et sécurisées par les deux broches. Veillez à ce que les plaques de raccordement/les broches dans les mâchoires circulent librement.

La broche de largage – elle se situe au centre dans la mâchoire supérieure. Examinez la surface pour contrôler les signes d'usure.

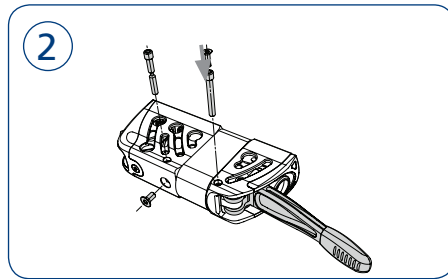
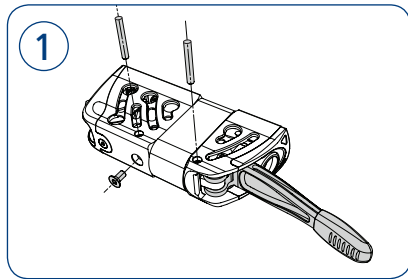
La structure du coinceur – Nettoyez l'intérieur à l'eau, en faisant particulièrement attention aux surfaces des roulettes supérieures et inférieures, le drainage des deux circule dans la base et leur sortie se trouve au niveau des moulages de sortie.

Remontage

1. Réinstallez le mécanisme d'assemblage de la poignée.
2. Pour les versions Lock Open, assurez-vous que le loquet de verrouillage est en position basse.
3. Refermez complètement la poignée, puis soulevez-la de 50 mm.
4. Insérez le bloc des mâchoires dans le boîtier du XX.
5. Inclinez le cache arrière vers l'arrière pour positionner les crochets de fixation inférieurs situés dans le boîtier.
6. Remettez le dessus du cache en place en le faisant pivoter de niveau avec le boîtier du XX.
7. Insérez une vis Allen M5 sur la surface supérieure qui maintient le cache arrière. Serrez à la main uniquement.
8. Sur les versions Lock Open, vérifiez le bon fonctionnement du verrou dans les positions haute et basse et en ouvrant et en fermant complètement la poignée.
9. Pour les versions standard, ouvrez et fermez la poignée complètement pour vous assurer que cette dernière est entièrement opérationnelle.
10. Ouvrez entièrement la poignée et insérez le cordage dans le boîtier du XX.

Remplacement du mécanisme d'assemblage de la poignée XXC-HDLB

1. Enlevez le cordage du bloqueur.
2. Pour les versions Lock Open, assurez-vous que le loquet de verrouillage est en position basse.
3. Soulevez la poignée de 50 mm pour accéder à la vis Allen M5 qui retient la pièce arrière par le dessus. Enlevez cette vis.
4. Maintenez le cache arrière sur le dessus et faites pivoter tout en tirant vers le haut.
5. Ouvrez complètement la poignée pour enlever la vis CSK M6 qui se trouve sur le dessus du bloqueur.
6. Tirez sur l'ensemble du cache arrière et des mâchoires pour les dégager du boîtier.



6. Percez les 2 broches de localisation à travers le boîtier (se reporter au schéma 1).
Remarque : ces dernières ont été maintenues en place avec du locktite. Pour les versions à montage latéral, utilisez une fixation M4 à visser dans la broche pour le soulever et l'enlever.
8. Faites glisser le mécanisme de la poignée par l'arrière du boîtier.
9. Nettoyez soigneusement à l'eau douce et inspectez les éléments critiques suivants :
Les cages des roulements (les deux sont identiques) – Déclipez-les de la mâchoire et contrôlez les signes d'usure à la surface des rouleaux. En présence de signes d'usure ou d'aplanissement, envisagez une mise à niveau **XX-Roll+**. Vérifiez que les cages sont remises dans le bon sens.
La surface intérieure des mâchoires – assurez-vous qu'elles sont toutes les deux propres et lisses.

La surface extérieure des mâchoires – nettoyez-les pour supprimer tous les débris de cordage. Vérifiez les traces d'usure excessive sur les surfaces de contact avec les bouts. Si l'on peut apercevoir des traces d'aluminium à travers la surface anodisée noire, remplacez le tout par un nouveau bloc de **mâchoires XX**.

Les barres de liaison des mâchoires – vérifiez que ces dernières sont fixées de chaque côté des deux mâchoires avec les broches et sécurisées par les deux broches. Veillez à ce que les plaques de raccordement/les broches dans les mâchoires circulent librement.

La broche de largage – elle se situe au centre dans la mâchoire supérieure. Examinez la surface pour contrôler les signes d'usure.

La structure du coinqueur – Nettoyez l'intérieur à l'eau, en faisant particulièrement attention aux surfaces des roulettes supérieures et inférieures, le drainage des deux circule dans la base et leur sortie se trouve au niveau des moulages de sortie.

Remontage

1. Insérez la nouvelle poignée, les broches et la vis CSK M6.
2. Pour les versions Lock Open, assurez-vous que le loquet de verrouillage est en position basse.
3. Refermez complètement la poignée, puis soulevez-la de 50 mm.
4. Insérez le bloc de mâchoires dans le boîtier du XXC.
5. Inclinez le cache arrière vers l'arrière pour positionner les crochets de fixation inférieurs situés dans le boîtier.
6. Remettez le couvercle en place en le faisant pivoter de niveau avec le boîtier du XXC.
7. Insérez une vis Allen M5 sur la surface supérieure qui maintient le cache arrière. Serrez à la main uniquement.
8. Sur les versions Lock Open, vérifiez le bon fonctionnement du verrou dans les positions basse et haute et en ouvrant et en fermant la poignée complètement.
9. Pour les versions standard, ouvrez et fermez la poignée complètement pour vous assurer que cette dernière est entièrement opérationnelle.
10. Ouvrez entièrement la poignée et insérez le cordage dans le boîtier du XXC.

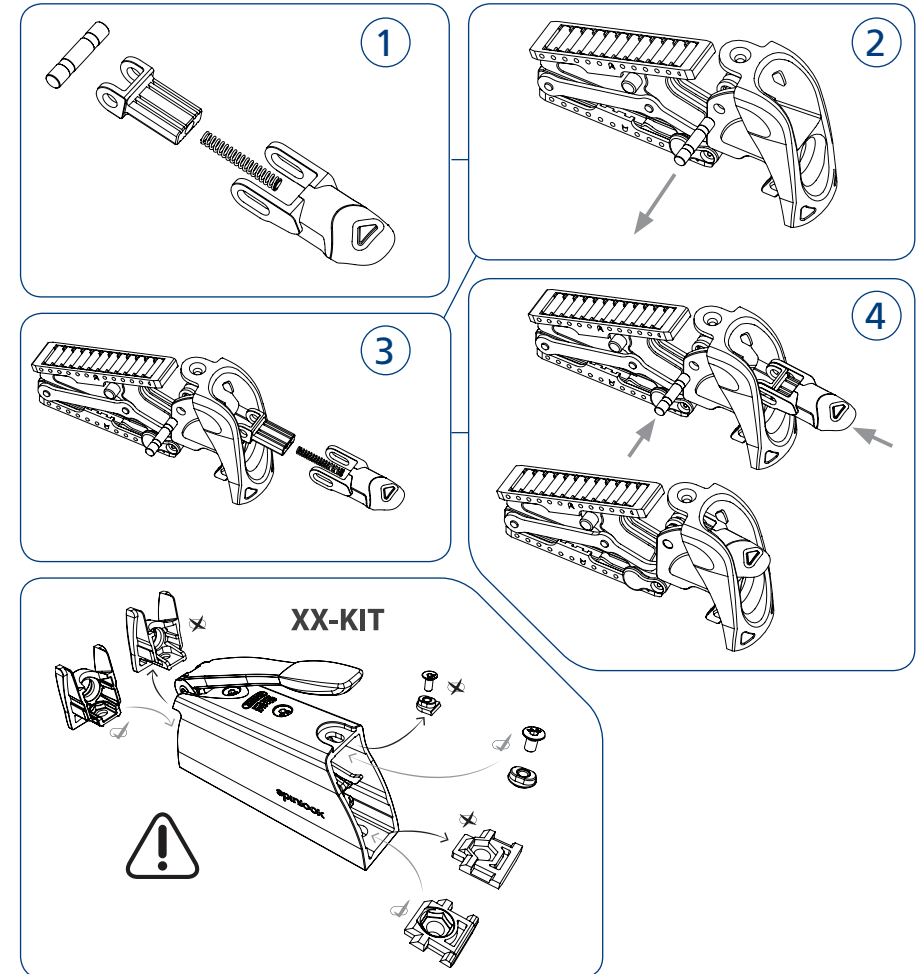
Le bloqueur XX0812 peut être converti en XX0812/L avec le kit XX-LCK.

Procédure d'installation :

1. Avant de commencer, vérifiez les éléments du kit (schéma 1).
2. Soulevez la poignée de 50 mm pour accéder à la vis Allen M5 qui retient la pièce arrière par le dessus. Enlevez cette vis.
3. Tenez le cache arrière sur le dessus et faites pivoter toute en le tirant vers le haut.
4. Tirez sur l'ensemble cache arrière et mâchoire pour les dégager du boîtier.
5. Enlevez l'axe de rotation du verrou (schéma 2).
6. Insérez le ressort du verrou et le support du levier du loquet dans le levier du loquet (schéma 2).
7. Insérez l'ensemble du verrou dans le cache arrière par l'arrière (schéma 3).
8. Insérez les extrémités des ressorts des mâchoires dans le support du levier du verrou, de telle sorte que les bobines des ressorts soient alignées avec les trous du support.
9. Poussez le levier du verrou et le support du levier ensemble et positionnez le cache arrière pour que tous les trous soient alignés.
10. Poussez la broche dans les trous du cache arrière, le levier du verrou, le support du verrou et les bobines du ressort. Vous entendrez un 'clac' (schéma 4).
11. Insérez les mâchoires dans le boîtier du XX.
12. Inclinez le cache arrière vers l'arrière pour positionner les crochets de fixation inférieurs dans le boîtier.
13. Remettez le cache en place en le faisant pivoter, pour qu'il soit de niveau avec le boîtier du XX.
14. Insérez une vis Allen M5 sur la surface supérieure qui maintient le cache arrière. Serrez à la main uniquement.

15. Assurez-vous que le loquet soit entièrement opérationnel dans les positions haute et basse ainsi qu'en ouvrant et en fermant complètement la poignée.

16. Mettez le loquet en position 'Haute' et faites passer le cordage dans le boîtier du XX.



Fixation latérale XX0812

Fixation latérale du XX



XX0812/HS

Le XX0812/HP et le XX0812/HS sont livrés prêts pour montage latéral.

Retirez les mâchoires (page 63) et fixez au pont en utilisant 5 fixations M6 A4-70 en acier inoxydable (fournies). Insérez les mâchoires et refermez le bloc arrière. (Page 73.)

Alignez le cordage sur les mouleurs d'entrée et de sortie pour assurer un fonctionnement sans à-coup et un minimum de friction.

Fixation latérale du XXC0812

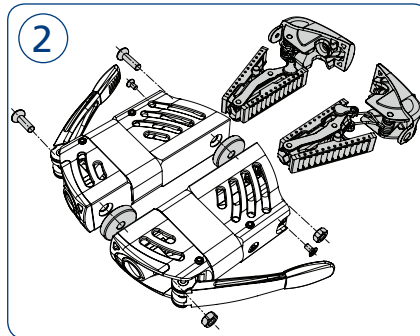
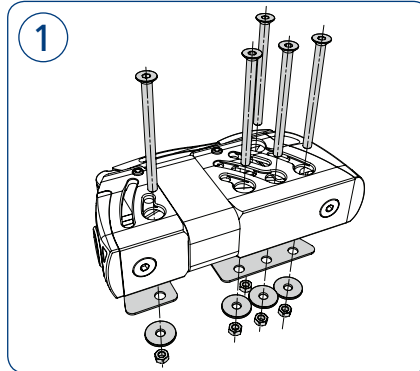
Le XX0812/HP et le XX0812/HS sont livrés prêts pour montage latéral avec 5 fixations en titane, des écrous, des rondelles et un bloc de montage. Se reporter au schéma 1.

Retirez les mâchoires (page 73) et fixez au pont en utilisant les 5 fixations en titane M6 (fournies). Assurez-vous que les 'blocs' sont en place, de sorte que le bloqueur XXC reste à l'horizontale par rapport au pont et évitez d'incliner le boîtier. Appliquez du 'Duralac' entre les fixations M6 et le boîtier du XXC. Insérez les mâchoires et refermez le bloc arrière. (Page 73)

Alignez le cordage sur les mouleurs d'entrée et de sortie pour assurer un fonctionnement sans à-coup avec un minimum de friction.

Les bloqueurs XXC0812/HBP & HBS sont conçus pour être collés directement sur les ponts, les espars et les bômes. Remarque : nous ne sommes pas en mesure de fournir des données techniques sur les matériaux et les instructions de collage. Vous devez vous référer à vos propres données d'ingénierie, aux informations sur les charges et aux instructions de vos fournisseurs pour obtenir des conseils.

Pour un montage latéral, 2 X XXC0812/HBP et S en dos à dos 'Butterfly' (Se reporter au schéma 2), il est indispensable d'utiliser le modèle XX-SMNT pour pouvoir enlever ultérieurement les pièces moulées du coinneur XXC0812.

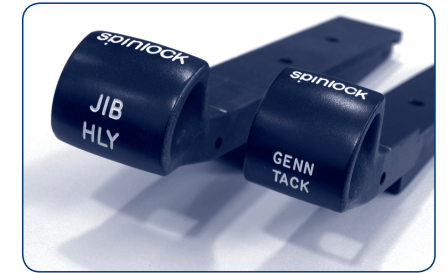


Coinneur ZS Aluminium

- Couleurs sur-mesure pour être assorties à la coque, au pont ou au gréement.
- Poignées gravées au nom de chaque cordage.
- Système de largage à distance.

ZS Carbon

- Couleurs sur-mesure pour être assorties à la coque, au pont ou au gréement.
- Poignées gravées au nom de chaque cordage.
- Non peint et prêt à être joint au pont et mât.
- Système de largage à distance.



ZS Open

- Poignées gravées au nom de chaque cordage.
- Option montage lateral mât ou pont disponible.

XX0812

- Couleurs sur-mesure pour être assorties à la coque, au pont ou au gréement.
- Système de largage à distance.
- Poignées gravées au nom de chaque cordage.

Coinceurs ZS Alloy, ZS Carbon et ZS OPEN

Part No.	Product	Description
ZS-JAW08	ZS0810	Mâchoires
ZS-JAW10C*	ZS1014C	'P' Series Mâchoires
ZS-JAW10H**	ZS1014C	'H' Series Mâchoires
ZS-JAW10HC	ZS1014C	'Ceramic' Mâchoires
ZS-JAW12*	ZS1214	'P' Series Mâchoires
ZS-JAW12H**	ZS1214	'H' Series Mâchoires
ZS-JAW16	ZS1618	'P' Series Mâchoires
ZS-JAW16H**	ZS1618C	'H' Series Mâchoires
ZS-JAW16HC	ZS1618C	'Ceramic' Mâchoires
ZS-JAW18	ZS1824C	Mâchoires
ZS-Jaw18HC	ZS1824C	'Ceramic' Mâchoires
ZS-SPG08	ZS0810	Ressort
ZS-SPG12	ZS1214, ZS1014C	Ressort
ZS-SPG16	ZS1618, ZS1618C	Ressort
ZS-SPG18C	ZS1824C	Ressort
ZS-MNT0810	ZS0810	Platine de fixation en alliage
ZS-MNT1214	ZS1214	Platine de fixation en alliage
ZS-MNT1618	ZS1618	Platine de fixation en alliage
ZS-MNT1014C	ZS1014C	Platine de fixation en alliage
ZS-MNT1618C	ZS1618C	Platine de fixation en alliage
ZS-MNT1824C	ZS1824C	Platine de fixation en alliage
ZS-RLB	ZS1214, ZS1618 ZS1014C, ZS1618C ZS1014B, ZS1618B	ZS Remote Lock Back Switch
ZS-RLB/L	ZS1824C, ZS2632C	



* Pour cordages avec revêtement en fibres polyester.

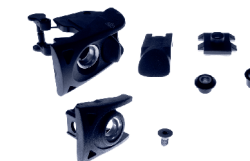
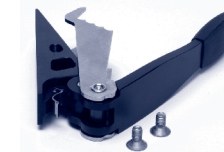
** Pour cordages avec revêtement en fibres mélangées.



Pour les pièces du ZS Open, contactez : spt@spinlock.co.uk

Bloqueur XX0812

Part No.	Description
XX-KIT	Jaw Set and Moulding Kit to upgrade post 2005 XX0812 to 2010 model
XX-JAW	Jaw Assembly for XX0812 post 2010
XX-LCK	Upgrade for XX0812 to Lock Open version XX0812/L
XX-HDLB	Handle Assembly (Black)
XX-MLDG	Replacement moulding kit for XX0812 post 2010
XX-ROLL	Ensemble de roulement en PEEK™ (<i>non illustré</i>)
XX-ROLL+	Ensemble de roulement Torlon (<i>non illustré</i>)
XXC - HDLA / HDLB / HDLS	Replacement Handle in Amber, Black or Silver (<i>non illustré</i>)
XX-SMNT	Side Mount Kit for XX0812 (<i>non illustré</i>)
XXC-KIT	Jaw Set and Moulding Kit (<i>non illustré</i>)
XXC-SMNT	Side Mount kit for XXC0812 (<i>non illustré</i>)



Dispositif simple d'emploi à boucle souple permettant une fixation rapide à n'importe quelle application, pour une mesure rapide des charges amovibles

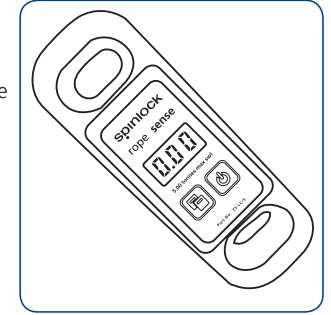
- Les charges de conception diffèrent souvent considérablement des charges réelles. ZS Rope Sense apporte aux équipages la capacité de confirmer rapidement et facilement les charges de travail réelles et d'affiner la sélection des équipements de pont et des cordages.
- S'utilise seul ou avec les coincesurs ZS Open.
- Mesure de la charge en continu ou en mode 'Crête'.
- Versions sans fil également disponibles (sans écran LCD) qui transmettent directement les données à votre PC via une antenne USB.
- Les données peuvent être visualisées instantanément sur l'écran sous forme de mesure ou au format graphique.
- Exportation facile vers Excel.
- Précision globale de 0.02 % sur déflexion pleine échelle.
- Indice IP65 pour l'imperméabilité à l'eau et à la poussière.

ZS-LC/5	cellule de charge 5 tonnes avec affichage intégré
ZS-LC/10	cellule de charge 10 tonnes avec affichage intégré
ZS-LCW/5	cellule de charge 5 tonnes sans fil et sans affichage. Inclut une antenne USB et un logiciel PC
ZS-LCW/10	cellule de charge 10 tonnes sans fil et sans affichage. Inclut une antenne USB et un logiciel PC
ZS-WD	Portatif et sans fil, affichage pour ZS-LCW/5 et ZS-LCW/10
ZS-LOOP/5	Boucle d'arrimage souple 5 tonnes
ZS-LOOP/10	Boucle d'arrimage souple 10 tonnes

Contactez spt@spinlock.co.uk pour les unités personnalisées jusqu'à 30 tonnes.

Introduction

Cellules de charge amovibles légères et compactes pouvant être utilisées avec des fixations souples avec affichage intégré.

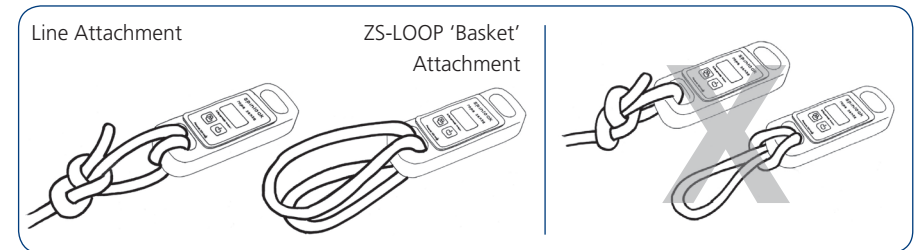


Utilisation

- Peut fonctionner sans danger entre un piton de pont, un point fort ou une poulie pour mesurer les charges.
- A utiliser avec le coinceur amovible ZS/OPEN associé à une boucle ZS/LOOP pour mesurer les charges sur un cordage.
- L'unité peut donner un affichage des charges en SUIVI continu ou mesurer une charge en mode CRETE.

Mode d'emploi

- Montez la cellule de charge dans la position souhaitée.
- Conçue pour utiliser une boucle ZS/LOOP dans une formation 'en corbeille' ou pour être attachée directement sur les écoutes ou les drisses avec un retournement complet de la cellule avant de terminer, comme indiqué ci-après :



Touche Marche/Arrêt

- Mettez la cellule sur ON en appuyant sur la touche marche jusqu'à ce que l'écran s'allume. La cellule lit alors instantanément la charge et n'a pas besoin d'être 'déchargée' lorsqu'elle est mise sous tension.
- L'affichage de la charge se met à jour en continu dans un délai de 6 minutes lorsque l'unité s'éteint automatiquement.
- Pour mettre la cellule sur OFF manuellement, appuyez sur la touche et maintenez-la enfoncée jusqu'à ce que l'écran passe de 'Zer' à OFF, puis relâchez la touche.

Touche Page

- Utilisez cette touche pour basculer entre les modes SUIVI, CRETE et LECTURE EN CRETE.
- Pour entrer dans le mode CRETE, appuyez sur la touche page et maintenez-la enfoncée jusqu'à ce que l'écran clignote entre P et une lecture.
- En mode CRETE, l'unité restera sur ON jusqu'à ce qu'il n'y ait plus de batterie, sauf si elle est mise sur OFF.
- Pour lire la charge en mode CRETE, maintenez la touche page enfoncée jusqu'à ce que PPP clignote par intermittence avec la lecture.
- Revenez au mode SUIVI en maintenant la touche page enfoncée. Cela réinitialise la LECTURE EN CRETE en la remettant sur zéro.
- **LES INSTRUCTIONS DE BASE SONT INDIQUEES SUR LE CACHE DE LA BATTERIE**

Remise à zéro

- De temps à autre, il peut être nécessaire de REINITIALISER la lecture en raison des conditions climatiques. Pour REINITIALISER, appuyez sur la touche MARCHE/ARRET et relâchez-la lorsque 'Zer' apparaît sur l'écran.

Surcharge

- Si OL clignote sur l'écran, quelque soit le mode, cela signifie que l'unité a rencontré un problème important de surcharge et qu'elle devra être recalibrée.
- **UNE SURCHARGE DE 200 % DE LA CHARGE UTILE DE SECURITE (SWL) ENTRAINERA DES DOMMAGES IRREVERSIBLES SUR LA CELLULE DE CHARGE**
- Un certificat de calibration est disponible et valide pendant 12 mois. L'unité doit être renvoyée à Spinlock pour être recalibrée.

Durée de vie de la batterie

- La pile PP3 9v fournie avec l'unité durera entre 2 et 6 heures, en fonction des charges mesurées.
- Vous pouvez utiliser des piles rechargeables.
- Lorsque la batterie est faible, les décimales se mettront à clignoter.
- **DES PILES A TRES FAIBLE VLOTAGE PEUVENT DONNER DES LECTURES INEXACTES.**
- **LE STOCKAGE DE L'UNITE AVEC LA BATTERIE INSTALLEE PEUT ENTRAINER UNE FUITE OU DES DOMMAGES.**

Changement des piles

- Pour changer les piles, dévissez soigneusement les 3 vis en inox à tête plate avec un tournevis de taille appropriée.
- Soulevez le capuchon en plastique de la batterie et posez-le sans endommager le joint.
- Sortez la pile et détachez-la sans déformer les câbles.
- Clipsez une nouvelle pile PP3 9v et placez-la à l'intérieur du compartiment dans le bon sens avec le câble sortant du boîtier de la cellule de charge.
- Remplacez le capuchon en plastique et remettez les 3 boulons avant de revisser régulièrement jusqu'à ce que le joint soit comprimé uniformément tout autour.
- **NE SERREZ PAS LES VIS TROP FORT**

Sécurité

- Assurez-vous que l'opérateur a lu et compris les instructions avant de commencer le test.
- Avant toute utilisation, vérifiez toujours que la cellule n'est pas dangereuse ou ne compromette pas la sécurité du bateau ou des personnes à bord.
- Un mauvais montage ou une utilisation inappropriée peut entraîner des résultats incorrects et des dommages.

Données techniques

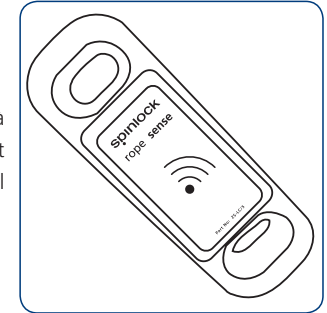
Taux d'échantillonnage	Mode SUIVI – 18Hz	mode CRETE – 10Hz
Plage d'erreurs max.	(Linéarité) 0,2 % fourchette complète	
Charge d'essai	150 % de la charge nominale	
Indice IP	IP65 (Entièrement protégé contre la poussière. Protégé contre les jets d'eau basse pression venant de toutes les directions – accès limité autorisé)	
Batterie	Pile PP3 9v	
Durée de vie de la batterie	3 heures en utilisation continue (en moyenne)	
Plage de températures	0 - 45 degrés Celsius (Le rayonnement solaire direct endommagera l'écran LCD)	
Alliage du boîtier	2014T6 Spécification aéronautique	
Plastique	De type Delrin	
Ecran	Lexan 250 microns	
Adhésif (Ecran)	3M® 467	
Poids :	5 tonnes avec la batterie	0,385 kg
	10 tonnes avec la batterie	0,700kg
Dimensions	ZS-LC/5	152 x 57 x 40
(mm nominaux)	ZS-LC/10	175 x 75 x 40

Neoprene protective cover fitting
(5 & 10 Tonne units only)



ZS Load Sense Sans fil Introduction

Cellules de charge amovibles, légères et compactes destinées à être utilisées avec des fixations souples. Les versions sans fil n'ont pas d'affichage intégré et nécessitent un PC équipé du logiciel rope sense ou un affichage portatif ZS-WD pour fonctionner.



Utilisation

- Peut fonctionner sans danger entre un piton de pont, un point fort ou une poulie pour mesurer les charges.
- A utiliser avec le coinreur mobile ZS/OPEN associé à une boucle ZS/LOOP pour mesurer les charges sur un cordage.
- L'unité retransmet les données relatives aux charges sur la pointeuse de l'ordinateur en deux options de taux/vitesse possibles sur une feuille excel CSV.

Mode d'emploi

- Montez la cellule de charge dans la position souhaitée.
- Conçue pour utiliser une boucle ZS/LOOP dans une formation 'en corbeille' ou pour être attachée directement sur les écoutes ou les drisses avec un retournement complet de la cellule avant de terminer, comme indiqué ci-après :

Line Attachment

ZS-LOOP 'Basket'
Attachment



Remise à zéro

- De temps à autre, il peut être nécessaire de REINITIALISER la lecture en raison des conditions climatiques. Pour REINITIALISER, appuyez sur la touche MARCHE/ARRET et relâchez-la lorsque 'Zer' apparaît sur l'écran.

Surcharge

- Si le logiciel affiche OL en clignotant, l'unité a rencontré un problème important de surcharge et a besoin d'être recalibrée.
- UNE SURCHARGE DE 200 % DE LA CHARGE UTILE DE SECURITE (SWL) ENTRAINERA DES DOMMAGES IRREVERSIBLES SUR LA CELLULE DE CHARGE**
- Un certificat de calibration est disponible sur le CD du logiciel, il est valide pendant 12 mois. L'unité doit être renvoyée à Spinlock pour être recalibrée.

Durée de vie de la batterie

- Les 2 piles AA fournies avec l'unité ont une durée de vie de 2 à 6 heures en mode 'FAST' et jusqu'à 6 mois en mode 'SLOW', en fonction de la plage des charges mesurées.
- Vous pouvez utiliser des piles rechargeables.
- Lorsque la batterie est faible, l'affichage du voltage devient rouge.
- DES PILES A TRES FAIBLE VOLTAGE PEUVENT DONNER DES LECTURES INEXACTES.**
- LE STOCKAGE DE L'UNITE AVEC LA BATTERIE INSTALLEE PEUT ENTRAINDER DES FUITES OU DES DOMMAGES.**

Changement des piles

- Pour changer les piles, dévissez soigneusement les 2 vis en inox à tête plate avec un tournevis de taille appropriée.
- Soulevez le capuchon en plastique de la batterie et posez-le sans endommager le joint.
- Sortez les piles avec soin.
- Remettez 2 piles AA neuves.
- Remplacez le capuchon en plastique et remettez les 2 boulons avant de revisser régulièrement jusqu'à ce que le joint soit comprimé uniformément tout autour.
- NE SERREZ PAS LES VIS TROP FORT**

Sécurité

- Assurez-vous que l'opérateur a lu et compris les instructions avant de commencer le test.
- Avant toute utilisation, vérifiez toujours que la cellule n'est pas dangereuse ou ne compromette pas la sécurité du bateau ou des personnes à bord.
- Un mauvais montage ou une utilisation inappropriée peut entraîner des résultats incorrects et des dommages.

Données techniques

Taux d'échantillonnage	Mode SUIVI – 20Hz	mode CRETE – 1Hz
Plage	Minimum 20 m ligne de visibilité claire	
Bande d'erreurs max.	(Linéarité) 0,2 % fourchette complète	
Charge d'essai	150 % de la charge nominale	
Indice IP	IP65 (impermeabilité complète à la poussière. Protégé contre les jets d'eau basse pression venant de toutes les directions – accès limité autorisé)	
Batterie	2 piles AA 1,5v	
Durée de vie de la batterie	2 heures en continu	
Plage de températures	0 - 45 degrés Celsius	
	(Le rayonnement solaire direct endommagera l'écran LCD)	
Alliage du boîtier	2014T6 Spécification aéronautique	
Plastique	De type Delrin	
Ecran	Lexan 250 microns	
Adhésif (Ecran)	3M® 467	
Poids :	5 tonnes avec la batterie	0,385 kg
	10 tonnes avec la batterie	0,700kg
Dimensions	ZS-LCW/5	152 x 57 x 40
(mm nominaux)	ZS-LCW/10	175 x 75 x 40
Logiciel	Pour une utilisation sur PC uniquement.	

Rope Sense software is copyright of Spinlock Ltd.

Neoprene protective cover fitting
(5 & 10 Tonne units only)



Installation du logiciel

Insérez le CD dans votre lecteur. Si le disque ne se lance pas automatiquement, naviguez dans votre lecteur CD et ouvrez le fichier SETUP.EXE. Suivez les instructions de configuration. Une fois l'installation terminée, naviguez dans le dossier Programmes, cliquez avec le bouton droit de la souris sur l'icône 'SP' et sélectionnez l'option 'Épingler au Menu Démarrer' pour y accéder facilement. Si vous avez un problème d'installation, contactez spt@spinlock.co.uk ou votre administrateur réseau.

Vérifiez si des mises à jour du logiciel sont mises à disposition sur le site www.spinlock.co.uk

Vous aurez besoin des droits d'administration sur votre ordinateur pour installer ce logiciel.

Configuration

Avant tout, fermez l'unité rope sense sur votre ordinateur. Branchez l'antenne USB sur un port USB disponible de l'ordinateur avant d'installer le logiciel. Ouvrez le logiciel. Le logiciel doit être associé à la cellule de charge. Pour ce faire, appuyez sur la touche '**Paramètres**' et entrez le code à 6 chiffres (toutes les lettres doivent être saisies en CAPITALES) dans la case '**Adresse à distance**'. Appuyez sur '**OK**' dans la fenêtre de configuration. Vous ne devez faire cela qu'une seule fois. Sélectionnez un dossier pour les données enregistrées dans le menu '**Paramètres**' sous '**Sélectionnez un répertoire des journaux**'. Vous pourrez créer un fichier spécifique pour ces données. L'unité est maintenant prête à être utilisée.

Fonctionnement

Branchez l'antenne USB. Ouvrez le programme Rope Sense. Après quelques minutes, l'affichage passe de '___' à '0.00' et la lumière verte clignote. (Le cas échéant, débranchez l'antenne, fermez le logiciel et recommencez).

Vous pouvez maintenant commencer à mesurer les charges. Pour capturer les lectures, appuyez simplement sur la touche 'Données du journal' et appuyez à nouveau pour arrêter. Un fichier sera enregistré dans l'emplacement que vous avez spécifié (se reporter à la Configuration). Vous pouvez utiliser tous les outils du tableau pour traiter et analyser les données.

La cellule de charge s'allumera et s'éteindra automatiquement avec le logiciel. Aucune commande d'alimentation externe n'est prévue sur le matériel (à part enlever les piles).

Fonctionnement

Le programme peut être ajusté en fonction de vos exigences. Appuyez sur la touche '**Paramètres**' pour y accéder. Vous trouverez ci-dessous une liste des paramètres ajustables :

Affichage des décimales – La précision des données peut être ajustée en affichant des décimales supplémentaires.

Délai de transmission rapide – permet d'ajuster la fréquence lors d'un enregistrement 'rapide' des données pour répondre à vos exigences.

Unités de charge – Les tonnes sont les unités par défaut. Renvoyez l'équipement à Spinlock pour une autre programmation.

Graph Haut – permet de régler les plages du graphique par incréments de 1 tonne en fonction de l'application.

Graph Bas – permet de définir la limite inférieure. Nous vous conseillons d'utiliser -0,01.

Sélectionner le répertoire des journaux – permet de naviguer dans votre dossier favori dans lequel les données enregistrées doivent être enregistrées.

Données enregistrées de la pointeuse temporelle – applique l'heure de l'ordinateur sur les données capturées dans le fichier inscrit.

Afficher le graphique – Non applicable..

Avertissement : Votre PC doit être configuré pour utiliser les décimales avec '.' plutôt que ','. Si ce n'est pas le cas, la lecture sera incohérente.

Contact spt@spinlock.co.uk if you require assistance with any feature of Spinlock Rope Sense.

Le RP25 est une nouvelle technique de traitement des surfaces qui protège de manière très efficace vos cordages contre l'abrasion.

Des tests ont montré qu'après application du RP25, la gaine et l'âme des cordages offraient une plus longue durée de vie et une meilleure tenue, sans pour autant perdre en flexibilité.

Un traitement des cordages au RP25 est particulièrement recommandé pour l'utilisation des équipements de maintien de cordage de Spinlock, dans le but d'optimiser les performances en terme de blocage des charges.

Zones où l'efficacité du RP25 a été prouvée : réas de mât, poulies plat-pont, bloqueurs, chariots de génois, lazy jacks, câbles de barre et bouts d'enrouleur. Le RP25 est également un produit idéal pour traiter en surface un cordage sans gaine (âme seule) contre l'effet des rayons UV.

Pour plus d'informations sur le RP25, rendez-vous sur www.spinlock.co.uk ou contactez notre bureau Special Projects Team : spt@spinlock.co.uk

Le bureau d'études spécialisé SPT (Special Projects Team) de Spinlock est capable de vous conseiller sur vos équipements de pont et d'apporter des solutions sur mesure aux architectes, aux constructeurs, aux fabricants de gréement ainsi qu'aux équipages de bateaux très performants.

Notre Special Projects Team peut apporter des solutions concrètes et adaptées à toutes les questions de :

- Platines de montage pour les bloqueurs et coinces.
- Boîtes à réas sur-mesure, en carbone ou en aluminium.
- Finitions sur-mesure pour les coinces.
- Equipement de pont pour les équipages professionnels.
- Modifications des produits standards pour tout usage spécifique.
- Tests de charges et de cordages.
- Poignées gravées au nom de chaque cordage.

Email: spt@spinlock.co.uk

Spinlock Ltd
 41 Birmingham Road
 Cowes
 Isle of Wight
 PO31 7BH
 United Kingdom

Tel: 44(0)1983 295555
 Fax: 44(0)1983 295542

Service client

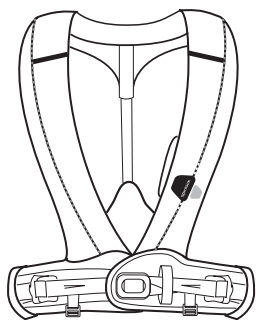
www.spinlock.co.uk

Vous trouverez sur ce site :

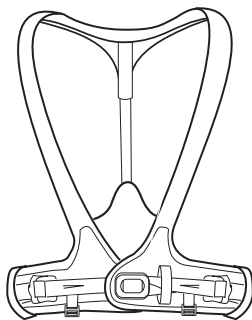
- La brochure téléchargeable en 6 langues, qui comprend notamment le poids et les dimensions de chaque produit, et la liste des accessoires.
- Le guide de maintien des charges.
- Les guides d'entretien et de services.
- Les modes d'emploi de chaque produit.
- Les gabarits de perçage et les schémas.

Pour plus d'informations sur la gamme de harnais et gilets de sauvetage Deckware de Spinlock, rendez-vous sur le site: www.spinlock.co.uk

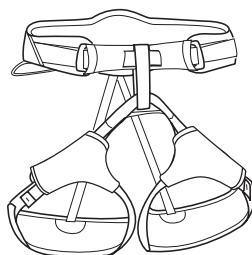
spinlock
deckware series



Deckvest Lifejacket harness



Deck Pro harness



Mast Pro harness

