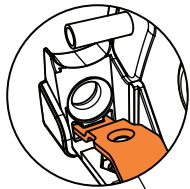
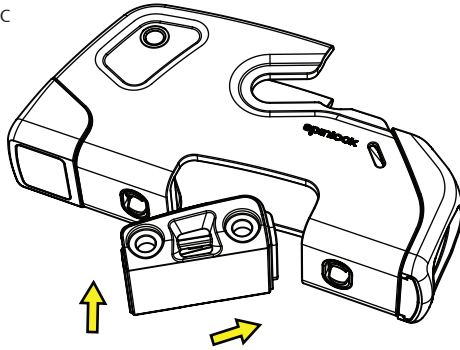


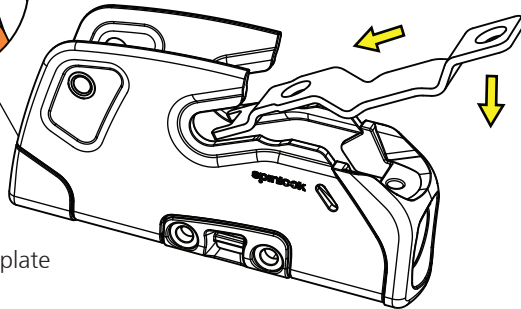
CONVERTING XTR POWERCLUTCH TO SIDE MOUNT

1. Begin by removing grip module and handle from body - see separate sheet

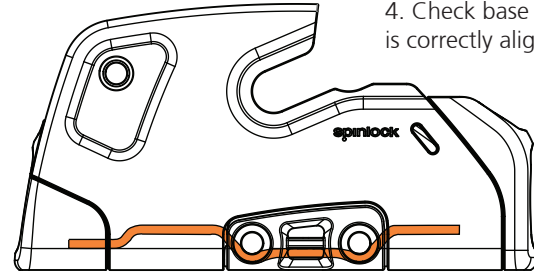
2. Insert plastic moulding



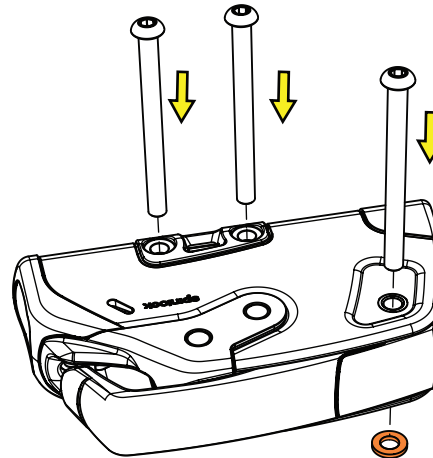
3. Insert base plate



4. Check base plate is correctly aligned



5. Replace grip module and handle - see separate sheet



6. Insert fixings - place plastic washer on underside of handle bolt